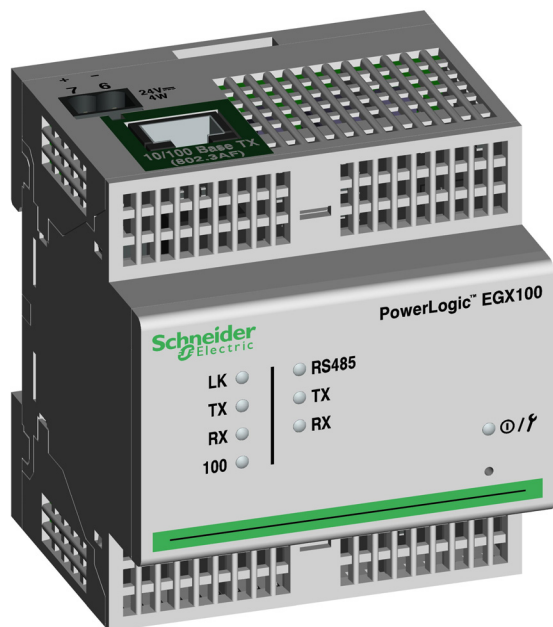


PowerLogic™ Ethernet Gateway EGX100

User Guide

63230-319-204B1
08/2012



Safety information

Important information

Read these instructions carefully and look at the equipment to become familiar with the device before trying to install, operate, service or maintain it. The following special messages may appear throughout this bulletin or on the equipment to warn of potential hazards or to call attention to information that clarifies or simplifies a procedure.



The addition of either symbol to a “Danger” or “Warning” safety label indicates that an electrical hazard exists which will result in personal injury if the instructions are not followed.



This is the safety alert symbol. It is used to alert you to potential personal injury hazards. Obey all safety messages that follow this symbol to avoid possible injury or death.

DANGER

DANGER indicates an imminently hazardous situation which, if not avoided, **will result in** death or serious injury.

WARNING

WARNING indicates a potentially hazardous situation which, if not avoided, **can result in** death or serious injury.

CAUTION

CAUTION indicates a potentially hazardous situation which, if not avoided, **can result in** minor or moderate injury.

NOTICE

NOTICE is used to address practices not related to physical injury. The safety alert symbol shall not be used with this signal word.

Please note

Electrical equipment should be installed, operated, serviced, and maintained only by qualified personnel. No responsibility is assumed by Schneider Electric for any consequences arising out of the use of this material.

A qualified person is one who has skills and knowledge related to the construction, installation, and operation of electrical equipment and has received safety training to recognize and avoid the hazards involved.

Notices

FCC Part 15 notice

This equipment has been tested and found to comply with the limits for a Class A digital device, pursuant to part 15 of the FCC Rules. These limits are designed to provide reasonable protection against harmful interference when the equipment is operated in a commercial environment. This equipment generates, uses, and can radiate radio frequency energy and, if not installed and used in accordance with the instruction manual, may cause harmful interference to radio communications. Operation of this equipment in a residential area is likely to cause harmful interference in which case the user will be required to correct the interference at his own expense. The Ringer Equivalence Number (REN) for the Meter_variable optional internal modem is 0.6. Connection to the Meter_variable internal modem should be made via an FCC Part 68 compliant telephone cord (not supplied). The Meter_variable cannot be used on a public coin phone service or party line services. This Class A digital apparatus complies with Canadian ICES-003.

Table of Contents

Introduction	1
Supported Ethernet Protocols	1
Hardware	1
Additional Resources	2
Accessing the EGX Over a Network	2
Logging in to the EGX	2
Logging Out	2
EGX User Interface Overview	3
Setup	3
Ethernet and TCP/IP Settings	3
Duplicate IP Address Detection	4
Serial Port	5
Device List	6
Master Mode Device List Setup	6
Slave Mode Device List Setup	7
User Accounts	8
Web Page Access	8
Modbus TCP/IP Filtering	9
SNMP Parameters	10
System Access Point	11
Diagnostics	12
Statistics	12
Interpreting Statistics	13
Read Device Registers	14
Firmware	15
Finding the Firmware Version	15
Getting New Firmware	15
Updating the Firmware File	16
Index	17

Introduction

This manual is to be used with a PowerLogic™ EGX100 with firmware version 3.0 or higher. For installation information, see the installation guide.

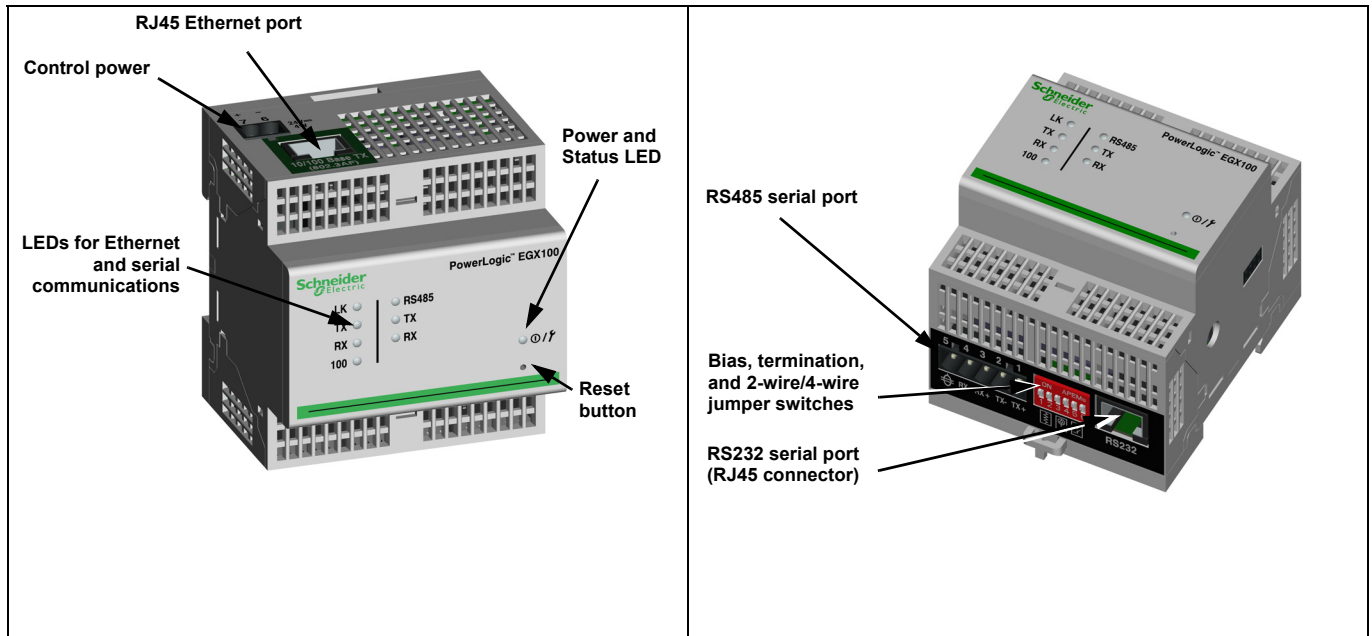
The EGX100 is a communications device that provides connectivity between Ethernet (Modbus TCP/IP) and serial line devices, allowing Modbus TCP/IP clients to access information from serial slave devices. It also allows serial master devices to access information from slave devices distributed across an Ethernet network.

Supported Ethernet Protocols

The EGX supports the following Ethernet protocols:

- **Modbus TCP/IP:** Modbus TCP/IP is a combination of the Modbus protocol, which provides master-slave communication between devices, and TCP/IP, which provides communications over an Ethernet connection. Modbus TCP/IP is used to exchange data between the EGX and other compatible Modbus TCP/IP devices via TCP port 502.
- **Hypertext Transfer Protocol (HTTP):** HTTP is a network protocol that handles the delivery of files and data on the World Wide Web. It provides web server functionality via TCP port 80. Remote configuration of the EGX and the viewing of diagnostic data is possible using a web browser.
- **File Transfer Protocol (FTP):** FTP is a network protocol that provides the ability to transfer files over the Internet from one computer to another. FTP is used to transfer firmware updates to the EGX via TCP port 21.
- **Simple Network Management Protocol (SNMP):** Based on MIB2 format, SNMP provides the ability to store and send identifying and diagnostic information used for network management purposes via UDP port 161.
- **Address Resolution Protocol (ARP):** ARP is used to convert IP addresses to Ethernet addresses. ARP requests are sent by the EGX to determine if its address is a duplicate IP address (see “Duplicate IP Address Detection” on page 4).

Hardware



Additional Resources

Documentation: Go to www.powerlogic.com and select your country. Select Library > PowerLogic Products > Communications > EGX100 Gateway, and then click the document you want to download.

NOTE: If you selected a country other than the United States, follow the country-specific website navigation to get the EGX documentation.

Firmware: See “Firmware” on page 15 to learn where to download firmware updates and how to install new firmware.

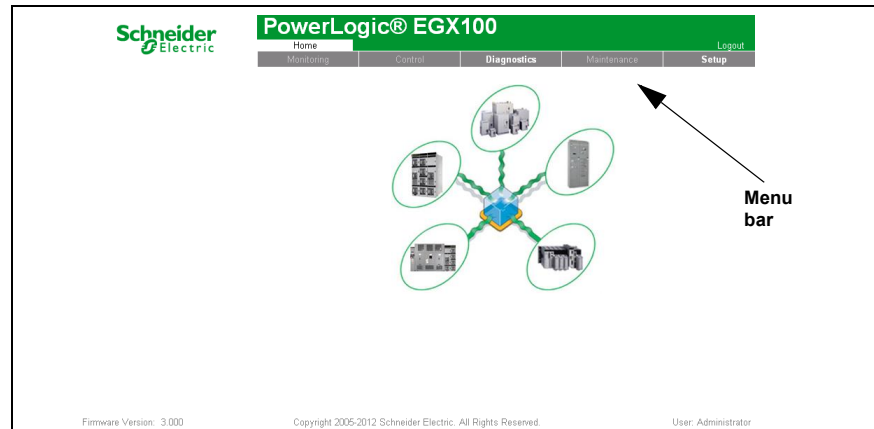
Accessing the EGX Over a Network

After you set up the Ethernet parameters (see the installation guide), you can access the EGX over an Ethernet LAN using Internet Explorer 6.0 or higher.

Logging in to the EGX

Action	Result
1. Launch Internet Explorer 6.0 or higher.	Opens Internet Explorer.
2. In the Address text box, type the address of your EGX (169.254.0.10 is the default), then press Enter.	Opens the Login dialog box.
3. Type your user name (<i>Administrator</i> is the default) and password (<i>Gateway</i> is the default) into the text boxes, then click OK .	Enters the user name and password, then opens the EGX home page.
4. Click Setup to access the EGX setup page, or click Diagnostics to access the EGX diagnostics page.	Opens the Setup or Diagnostics pages.

Figure 1: EGX Home Page



Logging Out

We recommend logging out whenever you do not need access to the EGX.

To log out of the EGX configuration session, click **Logout** to end your session.

EGX User Interface Overview

The EGX ships with eight pre-installed web pages used for EGX setup and configuration. See Table 1 for a description of each web page.

Table 1: EGX static web pages

EGX Web Page	Description	See Page
Setup		
Ethernet & TCP/IP	Configure Ethernet and TCP/IP communication settings.	3
Serial Port	Set up or change serial communication parameters.	5
Device List	Identify serial devices on the daisy chain.	6
User Accounts ¹	Create and edit groups and users.	8
Web Page Access ¹	Select web page access rights for each user group.	8
Modbus TCP/IP Filtering ¹	Set up which IP addresses can access the EGX through Modbus TCP/IP.	9
SNMP Parameters ¹	Enable and configure the Simple Network Management Protocol (SNMP), which allows the EGX to identify itself to network devices requesting SNMP data.	10
System Access Point ¹	Allow the EGX100 to multicast its existence to any EGX300 connected to the network.	11
Diagnostics		
Statistics	Displays diagnostic data used to troubleshoot network problems. This page also contains information about your specific EGX, including the serial number, manufacturing date, and Media Access Control (MAC) address.	12
Read Device Registers	Allows EGX administrators to read register data from a serial device connected to the EGX.	14

¹ Accessible by administrator only

Setup

To access the Setup web page links, click **Setup** on the **EGX menu bar**.

Ethernet and TCP/IP Settings

Action	Result
1. From the Setup page, click Ethernet & TCP/IP .	Opens the Ethernet & TCP/IP page.
2. Select your frame format and media type. Contact your network administrator if you do not know.	Selects the frame format and media type.
3. Enter your IP address, subnet mask, and default gateway address assigned to your EGX by your network administrator.	Enters the Ethernet parameters for the EGX. <i>NOTE: If you enter an IP address that is used by another device, you will be prompted to select a new IP address. See "Duplicate IP Address Detection" on page 4.</i>
4. Click Apply .	Updates the EGX Ethernet and TCP/IP settings.

* See Table 2 on page 4 for a list of options.

NOTE: After making changes to the Ethernet parameters and clicking Apply, the EGX will reboot.

Figure 2: Ethernet & TCP/IP Page

Table 2: EGX Ethernet and TCP/IP Settings

Option	Description	Setting
Frame Format	Used to select the format for data sent over an Ethernet connection.	Ethernet II, 802.3 SNAP Default: Ethernet II
Media Type	Used to define the physical Ethernet connection or media type.	<ul style="list-style-type: none"> • 10T/100Tx Auto • 10BaseT-HD • 10BaseT-FD • 100BaseTX-HD • 100BaseTX-FD Default: 10T/100Tx Auto
IP Address	Used to enter the static IP address of the EGX.	Default: 169.254.0.10
Subnet Mask	Used to enter the Ethernet IP subnet mask address of your network.	Default: 255.255.0.0
Default Gateway	Used to enter the gateway (router) IP address used for wide area network (WAN) communications.	Default: 0.0.0.0

Duplicate IP Address Detection

While connected to your network, the EGX publishes its IP address. To avoid any duplicate IP address conflicts, the EGX uses the Address Resolution Protocol (ARP) to see if any other device on your network is using the same IP address. Table 3 below explains how the EGX handles a duplicate IP address when it is detected.

Table 3: Duplicate IP Detection Scenarios

Scenario	Duplicate IP Detected	Power/Status LED
Boot Process / Power Restore	Reverts to the default EGX IP address, subnet mask, and gateway address. ARP requests are sent every 15 seconds until the IP address is available. When the IP address becomes available, the EGX will use it.	Four blinks, pause pattern
Ethernet Link Detected		
Manual Address Change	EGX keeps its previous IP address and displays a message indicating that the IP address is already in use by another device.	
Receives an ARP request	Reverts to the default EGX IP address, subnet mask, and gateway address if a connected device sends four ARP requests for the EGX's IP address. The EGX will send ARP requests every 15 seconds until the IP address is available again. When the IP address becomes available, the EGX will use it.	Four blinks, pause pattern

Serial Port

Action	Result
1. From the Setup page, click Serial Port .	Opens the Serial Port page.
2. Select your mode, physical interface, transmission mode, baud rate, parity, and response timeout (see Table 4 on page 5).	Selects the serial port options.
3. If you select Slave mode, enter the IP addresses for the remotely connected devices (see Table 4 on page 5).	Enters the IP addresses of the remote devices.
4. Click Apply .	Updates the EGX Serial Port settings.

Figure 3: Serial Port Page

Serial Port

Mode:	Master	▼	
Physical Interface:	RS485 4-wire	▼	
Transmission Mode:	Automatic	▼	
Baud Rate:	19200	▼	
Parity:	Even	▼	
Response Timeout:	3	▼	(Seconds)

Table 4: Serial Port Settings

Option	Description	Setting
Mode	Used to select how the COM port on the EGX is utilized (master or slave). <i>NOTE: When the Mode is changed, the EGX reboots.</i>	Master, Slave Default: Master
Physical Interface	Used to select how the EGX serial port is physically wired.	RS485 4-wire, RS485 2-wire, or RS232 Default: RS485 2-wire
Transmission Mode	Used to select how data is transmitted over a serial connection.	Master mode: Automatic, Modbus ASCII Slave mode: Modbus RTU, Modbus ASCII Default: <ul style="list-style-type: none"> • Master mode: Automatic • Slave mode: Modbus RTU <i>NOTE: Automatic mode allows you to communicate to Modbus RTU, Jbus, and PowerLogic™ (SY/MAX) slave devices on the same daisy chain.</i>
Baud Rate	Used to select the data transmission speed over a serial connection.	2400, 4800, 9600, 19200, 38400, 56000*, 57600* Default: 19200
Parity	Used to select if data is checked for accuracy using a parity bit.	Even, Odd, None Default: Even
Response Timeout	Used to select how long the EGX will wait to receive a response from a serial device.	0.1 to 10 seconds Default: 3 seconds
Remote Modbus TCP/IP Connections (Slave mode only)	Used to define a list of Modbus TCP/IP addresses for the EGX to use during slave mode communications.	—

* Available only if the physical interface and transmission mode is RS232/Modbus ASCII.

Device List

Before you begin, keep in mind the following:

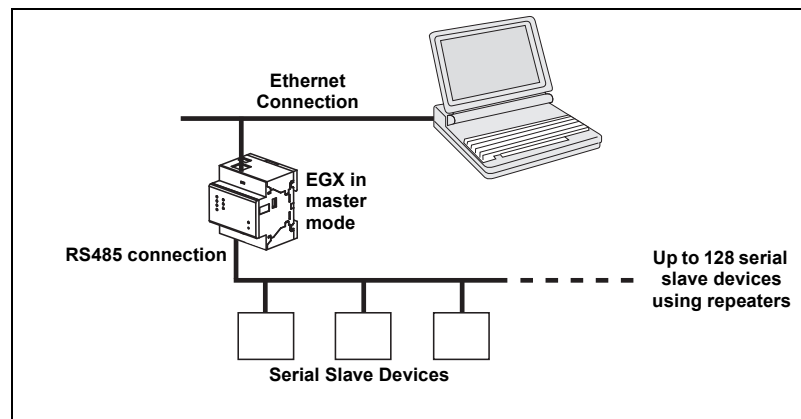
For master mode usage of the COM port:

- Modbus RTU/Jbus devices do not have to be defined in the Device List, but it helps you manage your system.
- PowerLogic™ protocol (SY/MAX) devices must be defined in the Device List.

NOTE: Do not use serial slave addresses 1 or 16 in Automatic transmission mode on a daisy chain with mixed protocols (for example, a single daisy chain with some devices using PowerLogic™ protocol and others using Modbus RTU/Jbus protocol).

Master Mode Device List Setup

Figure 4: Master Mode Topology



If you selected Master mode on the Serial Port page, follow the steps below to set up the device list:

Action	Result
1. From the Setup page, click Device List .	Opens the Device List page.
2. Select the number of viewable devices (1 to 128), then click Apply .	Selects the number of viewable locations that can be used to define serial slave devices connected to the EGX.
3. In the Local ID text box, type the local ID (address) of the serial slave device.	Enters the local address of the device.
4. Select the Protocol .	Selects the protocol of the connected device.
5. Repeat steps 3 and 4 until all of the devices are entered.	Enters all of the connected devices.
6. Click Apply .	Updates the Device List settings.

Figure 5: Device List Page in Master Mode

Device List

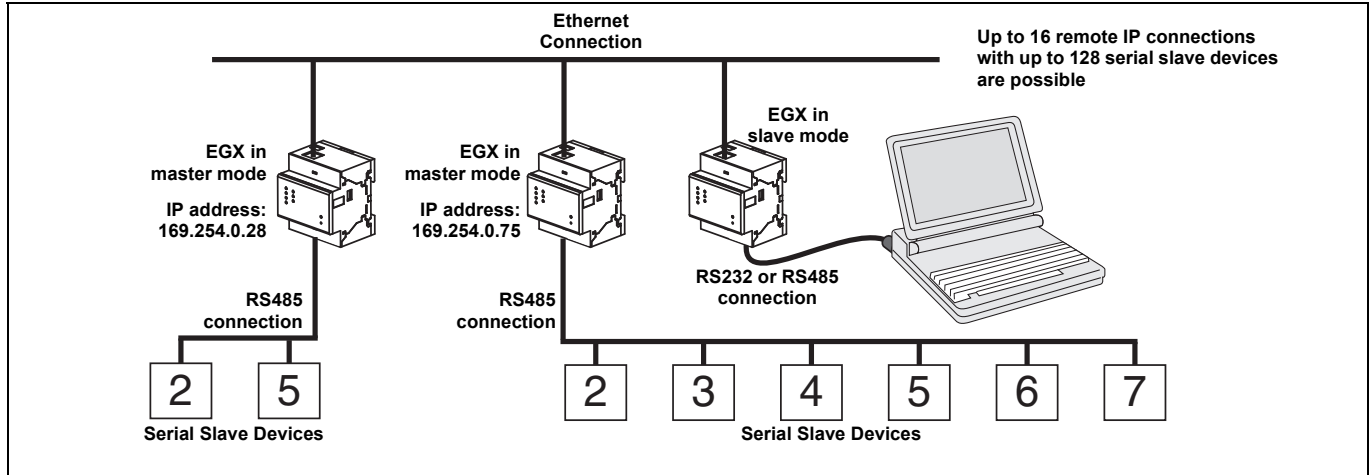
Number of Viewable Devices:

Protocol	Local ID
Modbus <input type="text" value="1"/>	<input type="text" value="1"/>
PowerLogic <input type="text" value="2"/>	<input type="text" value="2"/>
Modbus <input type="text" value="4"/>	<input type="text" value="4"/>
Modbus <input type="text" value="7"/>	<input type="text" value="7"/>
Modbus <input type="text" value="212"/>	<input type="text" value="212"/>
Modbus <input type="text" value=""/>	<input type="text" value=""/>
Modbus <input type="text" value=""/>	<input type="text" value=""/>
Modbus <input type="text" value=""/>	<input type="text" value=""/>

Slave Mode Device List Setup

Serial port slave mode allows serial Modbus master devices to access information from serial slave devices across a TCP/IP network. Figure 6 below illustrates how the devices are connected using the device list settings in Figure 7.

Figure 6: Slave Mode Topology



If you selected Slave mode on the Serial Port page, follow the steps below to set up the device list:

Action	Result
1. From the Setup page, click Device List .	Opens the Device List page.
2. Select the number of viewable devices (1 to 128), then click Apply .	Selects the number of viewable locations that can be used to define remote Modbus TCP/IP devices.
3. Select the Connection .	Selects the Modbus TCP/IP address to associate with the remote ID.
4. In the Local ID text box, type the local ID (address) of the serial slave device.	Enters the address of the device that the local Modbus master device will use to access the remote device.
5. In the Remote ID text box, type the remote ID (address) of the serial slave device.	Enters the serial slave address of the remotely connected device.
6. Repeat steps 3 through 5 until all of the devices are entered.	Enters all of the mapping information for the EGX to communicate to the remote devices.
7. Click Apply .	Updates the Device List settings.

Figure 7: Device List Page in Slave Mode

Device List

Number of Viewable Devices:

Connection	Local ID	Remote ID
<input type="text" value="157.198.184.86"/>	<input type="text" value="1"/>	<input type="text" value="2"/>
<input type="text" value="157.198.184.82"/>	<input type="text" value="2"/>	<input type="text" value="5"/>
<input type="text" value="157.198.184.82"/>	<input type="text" value="3"/>	<input type="text" value="2"/>
<input type="text" value="Serial Port"/>	<input type="text" value="5"/>	
<input type="text" value="157.198.184.86"/>	<input type="text" value="6"/>	<input type="text" value="4"/>
<input type="text" value="Serial Port"/>	<input type="text"/>	
<input type="text" value="Serial Port"/>	<input type="text"/>	
<input type="text" value="Serial Port"/>	<input type="text"/>	

User Accounts

EGX users are assigned user names and passwords. Each user belongs to a group, and each group has access rights to the EGX Web pages assigned by the EGX administrator.

NOTE: There are two default user accounts: Administrator (password is Gateway) and Guest (password is Guest).

Action	Result
1. From the Setup page, click User Accounts .	Opens the User Accounts page.
2. If you want to change a group name, type a new name in one of the Groups text boxes (the Administrator group name cannot be changed).	Enters a new group name.
3. In the Users section, enter a Name (1 to 24 characters) and Password (0 to 12 characters) for a new user. <i>NOTE: User names and passwords are case-sensitive and can contain only alphanumeric characters.</i>	Enters the name and password for a user.
4. Select a group and the default language for the new user.	Selects the group and language for a user.
5. Repeat steps 3 and 4 for each additional user you want to add.	Continues adding users.
6. Click Apply .	Saves all of the user account settings.

Table 5: EGX accounts and passwords

Account	Default Password
Administrator	Gateway
Guest	Guest
User-defined accounts (up to 11 accounts possible)	No default –Password is user-defined

Figure 8: User Accounts Page

The screenshot shows the 'User Accounts' configuration page. At the top, there is a 'Groups' section with four text input fields containing 'Administrators', 'Engineering', 'Operations', and 'Maintenance'. Below this is the 'Users' section, which is a table with four columns: 'Name', 'Password', 'Group', and 'Language'. The first row is for the 'Administrator' user, with a password of 'Gateway'. The second row is for the 'Guest' user, with a password of 'Guest'. There are several empty rows for adding new users. Each user row has a dropdown menu for 'Group' (currently set to 'Maintenance') and a dropdown menu for 'Language' (currently set to 'English'). An 'Apply' button is located at the bottom of the Users section.

Web Page Access

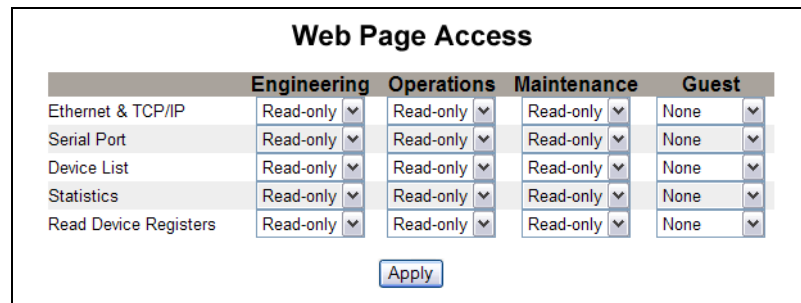
Action	Result
1. From the Setup page, click Web Page Access .	Opens the Web Page Access page.
2. In the Ethernet & TCP/IP row, select the access level (None, Read-only, or Full) that each user group has for the Ethernet & TCP/IP web page.	See Table 6 below for an explanation of access levels for each group.

Action	Result
3. To allow Guest access to the web page, select Read-only under the Guest column. <i>NOTE: If the Guest group is Read-only, other groups may only be set to Read-only or Full.</i>	Allows the default Guest group to access the web page.
4. Repeat steps 2 and 3 for the Serial Port, Device List, Statistics, and Read Device Registers rows.	Selects the access level for each web page.
5. Click Apply .	Saves the password settings.

Table 6: Group Access

Group	Access
Administrator	Full access to all web pages <i>NOTE: We recommend that you change the default administrator password for system security the first time you log in.</i>
Guest	Read-only access to selected web pages.
Three user-defined groups	Choosing from the following options, the administrator assigns web page access for each group. Access levels are as follows: <ul style="list-style-type: none"> • None: a group has no access to selected web page • Read-only: password grants a group read-only access to the selected web page • Full: a group has the same access as the Administrator group to the selected web page

Figure 9: Web Page Access Page



Modbus TCP/IP Filtering

This function allows the administrator to specify Modbus TCP/IP client devices that have or do not have access to serial slave devices connected to the EGX.

*NOTE: There is an anonymous Modbus TCP/IP address (**.*.*.*) that can be set to Read-only or None. Setting it to **Read-only** allows any Modbus TCP/IP client not in the filtered list to access serial slave devices with read-only access. Setting it to **None** blocks all Modbus TCP/IP clients not in the filtered list.*

Action	Result
1. From the Setup page, click Modbus TCP/IP Filtering .	Opens the Modbus TCP/IP Filtering page.
2. Check Enable Filtering .	Activates filtering.
3. In the IP address column, enter the Modbus TCP/IP client address	Enters an IP address for a Modbus TCP/IP client that will have access to the serial devices connected to the EGX.
4. In the Access Level column, select Read-only or Full.	Selects the access level for the corresponding IP address. When set to Read-only, only the following Modbus TCP/IP function codes are allowed: Decimal: 1, 2, 3, 4, 7, 8, 11, 12, 17, 20, 24, 43, 100 Hexadecimal: 01, 02, 03, 04, 07, 08, 0B, 0C, 11, 14, 18, 2B, 64
5. Repeat steps 3 and 4 to add more IP addresses.	Continues adding IP addresses for filtering.
6. Click Apply .	Saves the Modbus TCP/IP address filtering list.

Figure 10: Modbus TCP/IP Filtering Page

Modbus TCP/IP Filtering

Enable Filtering:

IP Address				Access Level
169	254	0	33	Full
				Read-only
				Read-only
				Read-only
				Read-only
				Read-only
				Read-only
				Read-only
				Read-only
				Read-only
				Read-only
				Read-only

SNMP Parameters

The EGX supports SNMP, allowing a network administrator to remotely access an EGX with an SNMP manager and view the networking status and diagnostics in the MIB2 format.

Action	Result
1. From the Setup page, click SNMP Parameters .	Opens the SNMP Parameters page.
2. Check Enable SNMP to turn ON the simple network management protocol. <i>NOTE: If you uncheck Enable SNMP and click Apply, the EGX will reboot and SNMP functionality will be turned OFF.</i>	Activates SNMP.
3. Enter the system contact, system name, system location, read-only community name, and the read-write community name.	Enters the SNMP system information and community access names.
4. Click Apply .	Saves the SNMP settings.

Figure 11: SNMP Parameters Page

SNMP Parameters

Enable SNMP:

System Contact: John Smith

System Name: Gateway

System Location: Manufacturing

Read-only Community Name: public

Read-write Community Name: private

System Access Point

The System Access Point allows the EGX100 to multicast its existence to any EGX300 connected to the network. This feature is configured to run by default, with no need for additional configuration.

Use the setup screen in Figure 12 on page 11 to enter the group IP address and related information.

Action	Result
1. From the Setup menu, click System Access Point .	Opens the System Access Point window.
2. Select UDP port, group IP address, hello time, hold time, multicast time-to-live and community. See Table 7 for setting descriptions.	Selects the system access point settings.
3. Click Apply . <i>NOTE: To return to default settings, click Default, then Apply</i>	Applies settings to the EGX100.

Table 7: System Access Point Settings

Option	Description	Setting
Enabled	When enabled, EGX300s can discover EGX100s with the same group IP address.	Enabled, disabled Default: Enabled
UDP Port	Allows you to set the port number for the UDP port used by the System Access Point discovery.	1 to 65535 Default: 59
Group IP Address	This field supports multicast or unicast addresses.	Default: 224.0.1.2
Hello Time	This is the period of time between "Hello" messages emitted by this EGX100 announcing its presence to other Schneider Electric System Access devices on the network.	1 to 65534 seconds Default: 300 seconds
Hold Time	This is the period of time that Hello messages sent by this EGX100 should be held by recipients before considering this EGX100 unavailable.	2 to 65535 seconds Default: 600 seconds
Multicast Time-to-Live	Allows you to control how wide an area of the network will be included to discover other devices. This is controlled by the number of times that the multicast is allowed to be forwarded to others.	1 to 255 router hops Default: 1
Community	Devices in a group can be divided into communities. EGX300s can discover EGX100s with the same group IP address and community number. Setting the community number to '0' allows an EGX300 to discover all EGX100s with the same group IP address without regard to the community setting.	0 to 65535 Default: 0

Figure 12: System Access Point

System Access Point

Enabled:

UDP Port: (1-65535)

Group IP Address: . . .

Hello Time: (1-65534 Seconds)

Hold Time: (2-65535 Seconds)

Multicast Time-to-Live: (1-255 Hops)

Community: (0-65535)

Diagnostics

To access the Diagnostics web page links, click **Diagnostics** on the **EGX** menu bar.

Statistics

Action	Result
1. From the Diagnostics page, click Statistics .	Opens the Statistics page (see Figure 13). <i>NOTE: The Statistics page displays data based on the mode selected in "Serial Port" on page 5.</i>
2. View the data.	See "Interpreting Statistics" on page 13.
3. Click Reset .	Resets the EGX cumulative diagnostic data to 0.

NOTE: This page will show accumulated readings since the EGX was last activated. If power to the EGX is lost, all cumulative values reset to zero.

Figure 13: Statistics Page

Reading with Serial Port in MASTER MODE	Reading with Serial Port in SLAVE MODE																																																																				
<p>Statistics</p> <table border="1" style="width: 100%; border-collapse: collapse;"> <thead> <tr> <th style="text-align: center;">Ethernet</th> </tr> </thead> <tbody> <tr><td>Link Status: 100BaseTx-FD</td></tr> <tr><td>Frames Transmitted OK: 375</td></tr> <tr><td>Collisions: 0</td></tr> <tr><td>Excessive Collisions: 0</td></tr> <tr><td>Frames Received OK: 430</td></tr> <tr><td>CRC Errors: 0</td></tr> <tr><td>Alignment Errors: 0</td></tr> <tr><td>Frames Too Long: 0</td></tr> <tr><td>Frames Too Short: 0</td></tr> </tbody> </table> <table border="1" style="width: 100%; border-collapse: collapse;"> <thead> <tr> <th style="text-align: center;">Modbus TCP/IP</th> </tr> </thead> <tbody> <tr><td>Frames Sent: 0</td></tr> <tr><td>Frames Received: 0</td></tr> <tr><td>Protocol Errors: 0</td></tr> <tr><td>Active Connections: 0</td></tr> <tr><td>Accumulative Connections: 0</td></tr> <tr><td>Maximum Connections: 0</td></tr> <tr><td>Inbound Read Messages: 0</td></tr> <tr><td>Inbound Write Messages: 0</td></tr> <tr><td>Outbound Reply Messages: 0</td></tr> </tbody> </table> <table border="1" style="width: 100%; border-collapse: collapse;"> <thead> <tr> <th style="text-align: center;">Serial Port</th> </tr> </thead> <tbody> <tr><td>Frames Sent: 0</td></tr> <tr><td>Frames Received: 0</td></tr> <tr><td>CRC Errors: 0</td></tr> <tr><td>Protocol Errors: 0</td></tr> <tr><td>Timeouts: 0</td></tr> <tr><td>Outbound Read Messages: 0</td></tr> <tr><td>Outbound Write Messages: 0</td></tr> </tbody> </table> <table border="1" style="width: 100%; border-collapse: collapse;"> <thead> <tr> <th style="text-align: center;">Gateway Information</th> </tr> </thead> <tbody> <tr><td>Firmware Version: 3.000</td></tr> <tr><td>System Idle Time: 43%</td></tr> <tr><td>MAC Address: 00:80:67:80:35:5A</td></tr> <tr><td>Serial Number: 33000001</td></tr> <tr><td>Model Number: EGX100SQD</td></tr> <tr><td>Hardware Version: A1</td></tr> <tr><td>Manufacture Date: 2006-Jan-01</td></tr> </tbody> </table> <p style="text-align: center;"><input type="button" value="Reset"/></p>	Ethernet	Link Status: 100BaseTx-FD	Frames Transmitted OK: 375	Collisions: 0	Excessive Collisions: 0	Frames Received OK: 430	CRC Errors: 0	Alignment Errors: 0	Frames Too Long: 0	Frames Too Short: 0	Modbus TCP/IP	Frames Sent: 0	Frames Received: 0	Protocol Errors: 0	Active Connections: 0	Accumulative Connections: 0	Maximum Connections: 0	Inbound Read Messages: 0	Inbound Write Messages: 0	Outbound Reply Messages: 0	Serial Port	Frames Sent: 0	Frames Received: 0	CRC Errors: 0	Protocol Errors: 0	Timeouts: 0	Outbound Read Messages: 0	Outbound Write Messages: 0	Gateway Information	Firmware Version: 3.000	System Idle Time: 43%	MAC Address: 00:80:67:80:35:5A	Serial Number: 33000001	Model Number: EGX100SQD	Hardware Version: A1	Manufacture Date: 2006-Jan-01	<p>Statistics</p> <table border="1" style="width: 100%; border-collapse: collapse;"> <thead> <tr> <th style="text-align: center;">Ethernet</th> </tr> </thead> <tbody> <tr><td>Link Status: 100BaseTx-FD</td></tr> <tr><td>Frames Transmitted OK: 2077256</td></tr> <tr><td>Collisions: 0</td></tr> <tr><td>Excessive Collisions: 0</td></tr> <tr><td>Frames Received OK: 2027312</td></tr> <tr><td>CRC Errors: 0</td></tr> <tr><td>Alignment Errors: 0</td></tr> <tr><td>Frames Too Long: 0</td></tr> <tr><td>Frames Too Short: 21</td></tr> </tbody> </table> <table border="1" style="width: 100%; border-collapse: collapse;"> <thead> <tr> <th style="text-align: center;">Modbus TCP/IP</th> </tr> </thead> <tbody> <tr><td>Frames Sent: 1976313</td></tr> <tr><td>Frames Received: 1976309</td></tr> <tr><td>Protocol Errors: 0</td></tr> <tr><td>Outbound Read Messages: 157829</td></tr> <tr><td>Outbound Write Messages: 0</td></tr> <tr><td>Inbound Reply Messages: 157825</td></tr> </tbody> </table> <table border="1" style="width: 100%; border-collapse: collapse;"> <thead> <tr> <th style="text-align: center;">Serial Port</th> </tr> </thead> <tbody> <tr><td>Frames Sent: 222353</td></tr> <tr><td>Frames Received: 222357</td></tr> <tr><td>CRC Errors: 0</td></tr> <tr><td>Protocol Errors: 0</td></tr> <tr><td>Inbound Read Messages: 222357</td></tr> <tr><td>Inbound Write Messages: 0</td></tr> </tbody> </table> <table border="1" style="width: 100%; border-collapse: collapse;"> <thead> <tr> <th style="text-align: center;">Gateway Information</th> </tr> </thead> <tbody> <tr><td>Firmware Version: 3.000</td></tr> <tr><td>System Idle Time: 43%</td></tr> <tr><td>MAC Address: 00:80:67:80:35:5A</td></tr> <tr><td>Serial Number: 33000001</td></tr> <tr><td>Model Number: EGX100SQD</td></tr> <tr><td>Hardware Version: A1</td></tr> <tr><td>Manufacture Date: 2006-Jan-01</td></tr> </tbody> </table> <p style="text-align: center;"><input type="button" value="Reset"/></p>	Ethernet	Link Status: 100BaseTx-FD	Frames Transmitted OK: 2077256	Collisions: 0	Excessive Collisions: 0	Frames Received OK: 2027312	CRC Errors: 0	Alignment Errors: 0	Frames Too Long: 0	Frames Too Short: 21	Modbus TCP/IP	Frames Sent: 1976313	Frames Received: 1976309	Protocol Errors: 0	Outbound Read Messages: 157829	Outbound Write Messages: 0	Inbound Reply Messages: 157825	Serial Port	Frames Sent: 222353	Frames Received: 222357	CRC Errors: 0	Protocol Errors: 0	Inbound Read Messages: 222357	Inbound Write Messages: 0	Gateway Information	Firmware Version: 3.000	System Idle Time: 43%	MAC Address: 00:80:67:80:35:5A	Serial Number: 33000001	Model Number: EGX100SQD	Hardware Version: A1	Manufacture Date: 2006-Jan-01
Ethernet																																																																					
Link Status: 100BaseTx-FD																																																																					
Frames Transmitted OK: 375																																																																					
Collisions: 0																																																																					
Excessive Collisions: 0																																																																					
Frames Received OK: 430																																																																					
CRC Errors: 0																																																																					
Alignment Errors: 0																																																																					
Frames Too Long: 0																																																																					
Frames Too Short: 0																																																																					
Modbus TCP/IP																																																																					
Frames Sent: 0																																																																					
Frames Received: 0																																																																					
Protocol Errors: 0																																																																					
Active Connections: 0																																																																					
Accumulative Connections: 0																																																																					
Maximum Connections: 0																																																																					
Inbound Read Messages: 0																																																																					
Inbound Write Messages: 0																																																																					
Outbound Reply Messages: 0																																																																					
Serial Port																																																																					
Frames Sent: 0																																																																					
Frames Received: 0																																																																					
CRC Errors: 0																																																																					
Protocol Errors: 0																																																																					
Timeouts: 0																																																																					
Outbound Read Messages: 0																																																																					
Outbound Write Messages: 0																																																																					
Gateway Information																																																																					
Firmware Version: 3.000																																																																					
System Idle Time: 43%																																																																					
MAC Address: 00:80:67:80:35:5A																																																																					
Serial Number: 33000001																																																																					
Model Number: EGX100SQD																																																																					
Hardware Version: A1																																																																					
Manufacture Date: 2006-Jan-01																																																																					
Ethernet																																																																					
Link Status: 100BaseTx-FD																																																																					
Frames Transmitted OK: 2077256																																																																					
Collisions: 0																																																																					
Excessive Collisions: 0																																																																					
Frames Received OK: 2027312																																																																					
CRC Errors: 0																																																																					
Alignment Errors: 0																																																																					
Frames Too Long: 0																																																																					
Frames Too Short: 21																																																																					
Modbus TCP/IP																																																																					
Frames Sent: 1976313																																																																					
Frames Received: 1976309																																																																					
Protocol Errors: 0																																																																					
Outbound Read Messages: 157829																																																																					
Outbound Write Messages: 0																																																																					
Inbound Reply Messages: 157825																																																																					
Serial Port																																																																					
Frames Sent: 222353																																																																					
Frames Received: 222357																																																																					
CRC Errors: 0																																																																					
Protocol Errors: 0																																																																					
Inbound Read Messages: 222357																																																																					
Inbound Write Messages: 0																																																																					
Gateway Information																																																																					
Firmware Version: 3.000																																																																					
System Idle Time: 43%																																																																					
MAC Address: 00:80:67:80:35:5A																																																																					
Serial Number: 33000001																																																																					
Model Number: EGX100SQD																																																																					
Hardware Version: A1																																																																					
Manufacture Date: 2006-Jan-01																																																																					

Interpreting Statistics

Statistic	Description
Ethernet	
Link Status	A status string that represents the speed and duplex setting being used to communicate with the linking partner.
Frames Transmitted OK	A counter that increments each time a frame is successfully transmitted.
Collisions	A counter that increments each time a frame is retransmitted due to collision detection.
Excessive Collisions	A counter that increments each time a frame is not able to be sent due to reaching the maximum collision status based on the Truncated Binary Exponential Backoff algorithm.
Frames Received OK	A counter that increments each time a frame is successfully received.
CRC Errors	A counter that increments each time a frame is received that has a checksum/CRC that does not match what is calculated.
Alignment Errors	A counter that increments each time a frame is received that has a checksum/CRC error and does not end on an 8-bit frame boundary.
Frames Too Long	A counter that increments each time a frame is received that is larger than the allowed maximum size defined in the standards (frames larger than 1518 bytes).
Frames Too Short	A counter that increments each time a frame is received that is smaller than the allowed minimum size defined in the standards (frames smaller than 64 bytes).
Modbus TCP/IP	
Frames Sent	A counter that increments each time a frame is sent.
Frames Received	A counter that increments each time a frame is received.
Protocol Errors	A counter that increments each time an ill-formed message is received.
Active Connections ¹	A status value that represents the number of connections that are active at the moment the diagnostics page is refreshed. A maximum of 32 connections are supported. Clicking Active Connections opens a new window with a list of all of the active client connections.
Accumulative Connections ¹	A counter that increments each time a connection is made to the EGX.
Maximum Connections ¹	A status value that represents the maximum number of connections that were active at any given moment.
Inbound Read Messages ¹	A counter that increments each time a read request message is received.
Outbound Read Messages ²	A counter that increments each time a read request message is sent.
Inbound Write Messages ¹	A counter that increments each time a write request message is received.
Outbound Write Messages ²	A counter that increments each time a write request message is sent.
Inbound Reply Messages ²	A counter that increments each time a reply message is received.
Outbound Reply Messages ¹	A counter that increments each time a reply message is sent.
Serial Port	
Frames Sent	A counter that increments each time a frame is sent.
Frames Received	A counter that increments each time a frame is received.
CRC Errors	A counter that increments each time a message is received that has a CRC that does not match what is calculated. Typically the result of wiring issues.
Protocol Errors	A counter that increments each time an ill-formed message is received.
Timeouts	A counter that increments each time a request message is sent without receiving a corresponding response message within the allowed time. Timeouts are typically the result of configuration errors or a non-responsive device.
Inbound Read Messages ²	A counter that increments each time a read request message is received.
Outbound Read Messages ¹	A counter that increments each time a read request message is sent.
Inbound Write Messages ²	A counter that increments each time a write request message is received.
Outbound Write Messages ¹	A counter that increments each time a write request message is sent.

¹ Available when the serial port is in Master mode.

² Available when the serial port is in Slave mode

Statistic	Description
Gateway Information	
Firmware Version	The firmware version that is installed on the EGX.
System Idle Time	A percentage from 0% to 100% indicating the average processor time that is not being used.
MAC Address	The unique Ethernet hardware address of an EGX.
Serial Number	The serial number of the EGX.
Model Number	The EGX model number (100).
Hardware Version	EGX hardware version.
Manufacture Date	Date the EGX was manufactured.

¹ Available when the serial port is in Master mode.

² Available when the serial port is in Slave mode

Read Device Registers

Action	Result
1. From the Diagnostics page, click Read Device Registers .	Opens the Read Device Registers page.
2. Enter the device ID, starting register number, and the number of registers to read.	Enters the values to begin reading registers for the specified device.
3. Select a data type.	Selects the data type to display.
4. To change how the data is displayed in the Value column, select Decimal , Hexadecimal , Binary , or ASCII .	Selects how the data values are displayed.
5. Click Read .	Displays the requested data.

Table 8: EGX Read Device Register Settings

Option	Description	Default
Device ID	The address of the device that registers are read.	1
Starting Register	The first register to read.	1000
Number of Registers	The number of registers to read (1 to 10).	10
Register column	Lists the register numbers	—
Value column	Lists the data stored for a register. Values retrieved depend on the device connected to the EGX. Refer to the documentation for the connected device for more information about stored register values.	—
Data Type	Select Holding Registers, Input Registers, Output Coils, Input Coils, or Device ID to specify the values retrieved.	Holding Registers
Decimal, Hexadecimal, Binary, or ASCII options	Select an option to specify how the Value column data is displayed.	Decimal

Figure 14: Read Device Registers Page

Read Device Registers

Device ID:	Starting Register:	Number of Registers:
<input type="text" value="1"/>	<input type="text" value="1000"/>	<input type="text" value="10"/>

Register	Value	Data Type:
<input type="text" value="1000"/>	<input type="text" value="0"/>	<input type="text" value="Holding Registers"/> <input checked="" type="radio"/> Decimal <input type="radio"/> Hexadecimal <input type="radio"/> Binary <input type="radio"/> ASCII
<input type="text" value="1001"/>	<input type="text" value="0"/>	
<input type="text" value="1002"/>	<input type="text" value="0"/>	
<input type="text" value="1003"/>	<input type="text" value="0"/>	
<input type="text" value="1004"/>	<input type="text" value="0"/>	
<input type="text" value="1005"/>	<input type="text" value="0"/>	
<input type="text" value="1006"/>	<input type="text" value="0"/>	
<input type="text" value="1007"/>	<input type="text" value="0"/>	
<input type="text" value="1008"/>	<input type="text" value="0"/>	
<input type="text" value="1009"/>	<input type="text" value="0"/>	

Firmware

Firmware on the EGX can be updated using File Transfer Protocol (FTP). Check www.powerlogic.com or with your local sales representative for the latest firmware update.

Finding the Firmware Version

Action	Result
1. Log into the EGX.	Opens the EGX home page.
2. Locate the firmware version on the bottom-left corner of the page. <i>NOTE: If you recently updated your firmware, press F5 to refresh the web page and update the displayed firmware number.</i>	Determines the firmware version of the EGX.
3. Alternatively, you can select Diagnostics > Statistics to find the firmware version in the Gateway Information section.	Also determines the firmware version of the EGX.

Getting New Firmware

Action	Result
1. Launch Internet Explorer, type www.powerlogic.com in the Address Bar , then press Enter.	Opens the PowerLogic website.
2. Select your country, then click Go. <i>NOTE: If you selected the United States, continue to Step 3. Otherwise, follow the country-specific website navigation to get the EGX firmware.</i>	Opens the PowerLogic website for your country.
3. Click Firmware Downloads > Products > PowerLogic Communications > EGX100 .	Displays available EGX100 downloads.
4. Click the EGX100 Firmware link.	Opens the EGX100 Firmware instructions page.
5. Click the Files tab, then the firmware file link (eg#####.bin, where ##### is the firmware number). <i>NOTE: You must log in to download firmware files. If you do not have a user name and password, follow the instructions on the website.</i>	Displays the file names, then opens the File Download dialog box.
6. Click Save .	Saves the firmware file.

Updating the Firmware File

Action	Result
1. Launch Internet Explorer, type <i>ftp://</i> and the IP address of the EGX in the Address text box (for example, <i>ftp://169.254.0.10</i>), then press Enter.	Opens the Log On As dialog box.
2. Type the user name <i>Administrator</i> and the administrator password in the text boxes, then click Log On .	Opens an FTP session with the EGX.
3. Locate the saved firmware file on your computer, right-click on it, then click Copy .	Copies the firmware file to the clipboard.
4. Right-click in the Internet Explorer window, then click Paste . <i>NOTE: Instead of copying and pasting the firmware file, you can drag-and-drop the firmware file into Internet Explorer.</i>	Copies the firmware to the EGX, and the EGX reboots.
5. Click the Close button on the Internet Explorer window.	Closes Internet Explorer and ends the FTP connection to the EGX.
6. To verify that the firmware version was updated successfully, follow the steps in "Finding the Firmware Version" on page 15.	Verifies the updated firmware version.

Index

A

accessing the EGX over a network 2
additional resources 2

D

device list
 setup 6
 master mode 6
 slave mode 7
device registers 14
 reading 14
diagnostics 11
duplicate IP address detection 4

E

EGX
 login 2
 setup 3
 user interface 3
Ethernet and TCP/IP settings 3
Ethernet protocols 1

F

firmware 15
 finding the version 15
 getting new 15
 updating 15

H

hardware 1

I

introduction 1

L

logging in to the EGX 2
logging out 2

M

master mode device list setup 6
Modbus TCP/IP filtering
 setup 9

N

network
 accessing via 2

S

serial port
 setup 5
slave mode device list setup 7
SNMP parameters
 setup 10
statistics 12
 interpreting 12
supported Ethernet protocols 1
system access point

setup 10

U

user accounts
 setup 8
user interface 3

W

web page access
 setup 8

**PowerLogic™ Ethernet Gateway EGX100
User Guide**

Schneider Electric
35 rue Joseph Monier
92500 Rueil-Malmaison, France
www.schneider-electric.com

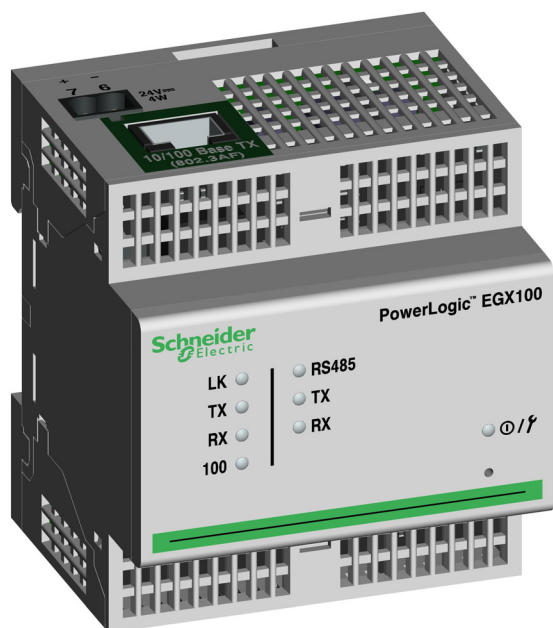
PowerLogic is a trademark of Schneider Electric in France, the USA and other countries. Other trademarks are the property of their respective owners.

63230-319-204B1 08/2012
Replaces 63230-319-204A2 12/2008
© 2006-2012 Schneider Electric All Rights Reserved.

Pasarela Ethernet EGX100 de PowerLogic™

Manual del usuario

63230-319-204B1
08/2012



Información sobre seguridad

Información importante

Lea estas instrucciones atentamente y examine el equipo para familiarizarse con el dispositivo antes de instalarlo, manipularlo, revisarlo o realizar el mantenimiento de este. Los siguientes mensajes especiales pueden aparecer a lo largo de este manual o en el equipo para advertir de posibles riesgos o remitirle a otras informaciones que le ayudarán a aclarar o simplificar los procedimientos.



La adición de uno de estos dos símbolos a una etiqueta de seguridad del tipo “Peligro” o “Advertencia” indica la existencia de un riesgo de descarga eléctrica que ocasionará lesiones si no se siguen las instrucciones.



Este es el símbolo de alerta de seguridad. Sirve para alertar de posibles riesgos de lesiones. Siga las recomendaciones de todos los mensajes de seguridad precedidos por este símbolo para evitar posibles lesiones e incluso la muerte.

PELIGRO

PELIGRO indica una situación de riesgo inmediato que, si no se evita, **causará** la muerte o lesiones graves.

ADVERTENCIA

ADVERTENCIA indica una situación de riesgo potencial que, si no se evita, **puede causar** la muerte o lesiones graves.

PRECAUCIÓN

PRECAUCIÓN indica una situación de riesgo potencial que, si no se evita, **puede causar** lesiones moderadas o leves.

AVISO

AVISO se emplea en la descripción de prácticas que no pueden ocasionar lesiones. El símbolo de alerta de seguridad no se utilizará con este término de advertencia.

Por favor, tenga en cuenta lo siguiente

Sólo el personal cualificado puede instalar, manipular y revisar el equipo electrónico así como realizar el mantenimiento de este. Schneider Electric no asume ninguna responsabilidad de las consecuencias que se deriven de la utilización de este manual.

Por cualificado se entiende la persona que cuenta con conocimientos y experiencia relacionados con la fabricación, la instalación y el funcionamiento de equipos eléctricos y que, además, ha recibido formación en materia de seguridad al objeto de reconocer y evitar cualquier riesgo.

Avisos

Aviso sobre la sección 15 de la normativa de la FCC

Este equipo ha sido probado y cumple los límites establecidos para los dispositivos digitales Clase A, según la sección 15 de la normativa de la FCC (Comisión federal de comunicaciones de los EE. UU.). Estos límites se establecen para proporcionar la protección adecuada contra interferencias que puedan dañar el equipo cuando este se utiliza en un entorno comercial. Este equipo genera, utiliza y puede emitir energía de radiofrecuencia y, si no se instala y utiliza siguiendo las indicaciones del manual de instrucciones, puede provocar interferencias que afecten a las radiocomunicaciones. Si se utiliza en una zona residencial, las interferencias podrían causar daños. En tal caso, el usuario es el responsable de corregir dichas interferencias por su propia cuenta y riesgo. Este aparato digital Clase A cumple con la normativa canadiense ICES-003 sobre equipos generadores de interferencias.

Índice

Introducción	1
Protocolos de Ethernet compatibles	1
Equipo físico	1
Otros recursos	2
Acceso a la EGX a través de una red	2
Inicio de sesión en la EGX	2
Desconexión del sistema	2
Descripción general de la interfaz de usuario de la EGX	3
Configuración	3
Configuración de Ethernet y TCP/IP	3
Detección de direcciones IP duplicadas	4
Puerto serie	5
Lista de dispositivos de la EGX	6
Configuración de la lista de dispositivos en modo Maestro	6
Configuración de la lista de dispositivos en modo Esclavo	7
Cuentas de usuario	8
Acceso a páginas web	8
Filtrado de Modbus TCP/IP	9
Parámetros del SNMP	10
Punto de acceso del sistema	11
Diagnósticos	12
Estadísticas	12
Interpretación de las estadísticas	13
Lectura de registros de dispositivo	14
Firmware	15
Identificación de la versión del firmware	15
Obtención de firmware nuevo	15
Actualización del archivo de firmware	16
Índice alfabético	17

Introducción

Este manual debe utilizarse con una PowerLogic™ EGX100 que cuente con la versión del firmware 3.0 o superior. Consulte el manual de instalación para obtener información sobre esta.

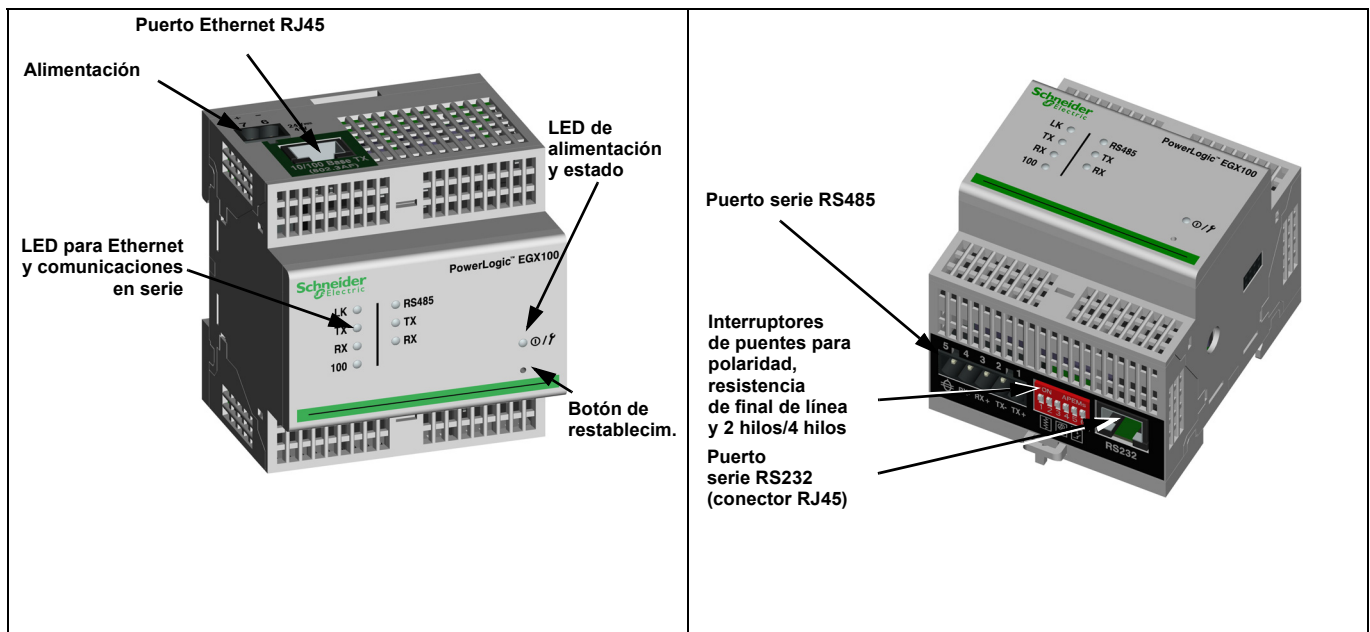
La pasarela EGX100 es un dispositivo de comunicación que ofrece conectividad entre Ethernet (Modbus TCP/IP) y dispositivos en línea serie, con lo cual permite que los clientes Modbus TCP/IP accedan a la información desde dispositivos esclavos en serie. También permite que los dispositivos maestros serie accedan a información desde dispositivos esclavos distribuidos en una red Ethernet.

Protocolos de Ethernet compatibles

La EGX acepta los siguientes protocolos Ethernet:

- **Modbus TCP/IP:** Se trata de una combinación del protocolo Modbus, que proporciona comunicación maestro-esclavo entre dispositivos, y TCP/IP, que proporciona comunicación a través de una conexión Ethernet. Sirve para intercambiar datos entre la EGX y otros dispositivos compatibles con Modbus TCP/IP a través del puerto TCP 502.
- **Protocolo de transferencia de hipertexto (HTTP):** Protocolo de red que realiza los envíos de archivos y datos en Internet Proporciona funcionalidad de servidor web por medio del puerto TCP 80. Mediante un explorador web es posible configurar la EGX de manera remota y visualizar los datos de diagnóstico.
- **Protocolo de transferencia de archivos (FTP):** Protocolo de red que ofrece la capacidad de transferir archivos por Internet de un ordenador a otro. Sirve para transferir las actualizaciones del firmware a la EGX por medio del puerto TCP 21.
- **Protocolo simple de administración de redes (SNMP):** Se basa en el formato MIB-II y proporciona la capacidad de almacenar y enviar información de identificación y diagnóstico utilizada en la red por razones de administración por medio del puerto UDP 161.
- **Protocolo de resolución de dirección (ARP):** Sirve para convertir las direcciones IP en direcciones Ethernet. Las solicitudes de ARP se envían a través de la EGX para determinar si su dirección es el duplicado de una dirección IP (consulte "Detección de direcciones IP duplicadas" en la página 4).

Equipo físico



Otros recursos

Documentación: Visite www.powerlogic.com y seleccione su país. Seleccione Library > PowerLogic Products > Communications > EGX100 Gateway (Biblioteca > Productos PowerLogic > Comunicaciones > Pasarela EGX100) y haga clic en el documento que quiere descargar.

NOTA: Si ha seleccionado un país que no sea Estados Unidos, siga la navegación del sitio web específico del país para obtener la documentación de la EGX.

Firmware: Consulte "Firmware" en la página 15 para saber de dónde bajar las actualizaciones del firmware y cómo instalar el nuevo firmware.

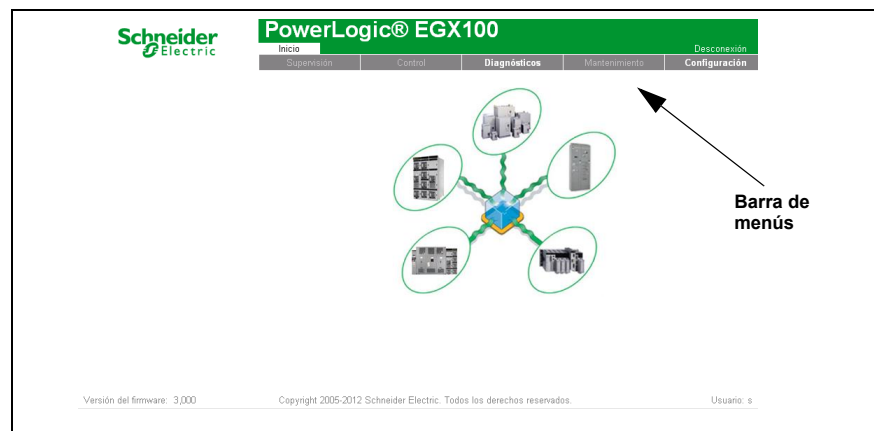
Acceso a la EGX a través de una red

Una vez que haya configurado los parámetros de Ethernet (consulte el manual de instalación), podrá acceder a la EGX a través de una LAN de Ethernet con Internet Explorer 6.0 o superior.

Inicio de sesión en la EGX

Acción	Resultado
1. Inicie Internet Explorer 6.0 o superior.	Abre Internet Explorer.
2. En la barra de direcciones , escriba la dirección de la EGX (la dirección predeterminada es 169.254.0.10) y, a continuación, pulse Intro.	Abre el cuadro de diálogo Iniciar sesión.
3. Escriba su nombre de usuario (<i>Administrator</i> es el valor predeterminado) y la contraseña (<i>Gateway</i> es la predeterminada) en los cuadros de texto y después haga clic en Aceptar .	Introduce el nombre de usuario y la contraseña y, a continuación, abre la página de inicio de la EGX.
4. Haga clic en Configuración o en Diagnósticos para acceder a la página de configuración o de diagnóstico respectivamente de la EGX.	Abre las páginas de configuración o diagnóstico.

Figura 1: Página de inicio de la EGX



Desconexión del sistema

Le aconsejamos que se desconecte cuando no necesite acceder a la EGX.

Para salir de la sesión de configuración de la EGX, haga clic en **Desconexión** y se cerrará la sesión.

Descripción general de la interfaz de usuario de la EGX

La EGX se envía con 8 páginas web preinstaladas que se utilizan para la preparación y configuración de la EGX. Consulte la Tabla 1 para ver una descripción de cada página web.

Tabla 1: Páginas web estáticas de la EGX

Página web de la EGX	Descripción	Consulte la página
Configuración		
Ethernet y TCP/IP	Configure los parámetros de las comunicaciones Ethernet y TCP/IP.	3
Puerto serie	Configure o cambie los parámetros de las comunicaciones serie.	5
Lista de dispositivos de la EGX	Identifique los dispositivos conectados en el bus de comunicaciones serie.	6
Cuentas de usuario ¹	Cree y modifique grupos y usuarios.	8
Acceso a página Web ¹	Seleccione los derechos de acceso a las páginas web para cada grupo de usuarios.	8
Filtrado de Modbus TCP/IP ¹	Configure las direcciones IP que podrán acceder a la EGX a través de Modbus TCP/IP.	9
Parámetros del SNMP ¹	Habilite y configure el Protocolo simple de administración de redes (SNMP), que permite que la EGX se identifique a otros dispositivos de red que solicitan datos SNMP.	10
Punto de acceso del sistema ¹	Permite que la EGX100 difunda su existencia a todas las pasarelas EGX300 que estén conectadas a la red.	11
Diagnósticos		
Estadísticas	Muestra datos de diagnóstico que se utilizan para resolver problemas de la red. Esta página contiene también información acerca de la EGX específica del usuario, incluido el número de serie, la fecha de fabricación y la dirección de control de acceso de medios (MAC).	12
Lectura de registros de dispositivo	Permite que los administradores de la EGX lean datos de registro procedentes de dispositivos serie conectado a esta	14

¹ Sólo el administrador tiene acceso.

Configuración

Para acceder a los vínculos de la página web Configuración, haga clic en **Configuración** en la **barra de menús de la EGX**.

Configuración de Ethernet y TCP/IP

Acción	Resultado
1. En la página Configuración, haga clic en Ethernet y TCP/IP .	Abre la página Ethernet y TCP/IP.
2. Seleccione el formato de trama y el tipo de medio. Si no los conoce, póngase en contacto con el administrador de la red.	Selecciona el formato de trama y el tipo de medio.
3. Introduzca su dirección IP, la máscara de subred y la dirección predeterminada de la pasarela asignadas a la EGX por el administrador de la red.	Introduce los parámetros de Ethernet para la EGX. <i>NOTA: Si introduce una dirección IP que ya esté siendo utilizada por otro dispositivo, se le pedirá que seleccione una dirección IP diferente. Consulte "Detección de direcciones IP duplicadas" en la página 4.</i>
4. Haga clic en Aplicar .	Actualiza la configuración de Ethernet y TCP/IP de la EGX.

* Consulte la Tabla 2 en la página 4 para ver una lista de opciones.

NOTA: Tras introducir los cambios en los parámetros de Ethernet y hacer clic en **Aplicar**, la EGX se reiniciará.

Figura 2: Página Ethernet y TCP/IP

Tabla 2: Configuración de Ethernet y TCP/IP de la EGX

Opción	Descripción	Valor
Formato de trama	Permite seleccionar el formato en el que se envían los datos a través de una conexión Ethernet.	Ethernet II, 802.3 SNAP Predeterminado: Ethernet II
Tipo de medio	Sirve para definir la conexión física a Ethernet o el tipo de medio.	<ul style="list-style-type: none"> • 10T/100Tx Auto • 10BaseT-HD • 10BaseT-FD • 100BaseTX-HD • 100BaseTX-FD Predeterminado: 10T/100Tx Auto
Dirección IP	Sirve para introducir la dirección IP estática de la EGX.	Valor predeterminado: 169.254.0.10
Máscara de subred	Permite introducir la dirección de la máscara de subred de la red.	Valor predeterminado: 255.255.0.0
Pasarela predeterminada	Sirve para introducir la dirección IP de la pasarela (router) que se usa en las comunicaciones con la red de área extendida (WAN).	Valor predeterminado: 0.0.0.0

Detección de direcciones IP duplicadas

Mientras está conectada a la red, la EGX publica su dirección IP. Para evitar conflictos de direcciones IP duplicadas, la EGX utiliza el protocolo de resolución de direcciones (ARP) al objeto de determinar si algún otro dispositivo de la red utiliza la misma dirección IP. En la Tabla 3 a continuación se explica cómo trata la EGX las direcciones duplicadas al detectarlas.

Tabla 3: Situaciones de detección de IP duplicadas

Situación	IP duplicada detectada	LED de alimentación/estado
Proceso de inicio/restablecimiento de alimentación	Vuelve a la dirección IP, la máscara de subred y la dirección de la pasarela predeterminadas de la EGX. Las solicitudes ARP se envían cada 15 segundos hasta que la dirección IP queda disponible. Cuando la dirección IP quede disponible, la EGX la utilizará.	Patrón de 4 parpadeos y pausa
Enlace de Ethernet detectado	Vuelve a la dirección IP, la máscara de subred y la dirección de la pasarela predeterminadas de la EGX. Las solicitudes ARP se envían cada 15 segundos hasta que la dirección IP queda disponible. Cuando la dirección IP quede disponible, la EGX la utilizará.	Patrón de 4 parpadeos y pausa
Cambio manual de la dirección	La EGX mantiene su dirección IP anterior y muestra un mensaje que indica que otro dispositivo ya está empleando la dirección IP.	
Recibe una solicitud ARP	Vuelve a la dirección IP, la máscara de subred y la dirección de la pasarela predeterminadas de la EGX si un dispositivo conectado envía cuatro solicitudes ARP de la dirección IP de la EGX. La EGX enviará solicitudes ARP cada 15 segundos hasta que la dirección IP vuelva a quedar disponible. Cuando la dirección IP quede disponible, la EGX la utilizará.	Patrón de 4 parpadeos y pausa

Puerto serie

Acción	Resultado
1. En la página Configuración, haga clic en Puerto serie .	Abre la página Puerto serie.
2. Seleccione el modo, la interfaz física, el modo de transmisión, la velocidad en baudios, la paridad y el tiempo de espera de respuesta (consulte la Tabla 4 en la página 5).	Selecciona las opciones del puerto serie.
3. Si selecciona el modo Esclavo, introduzca las direcciones IP correspondientes a los dispositivos de conexión remota (consulte la Tabla 4 en la página 5).	Introduce las direcciones IP de los dispositivos remotos.
4. Haga clic en Aplicar .	Actualiza la configuración del puerto serie de la EGX.

Figura 3: Página Puerto serie

Puerto serie

Modo:	Maestro	▼
Interfaz física:	RS485 2 hilos	▼
Modo de transmisión:	Automático	▼
Velocidad en baudios:	19200	▼
Paridad:	Par	▼
Tiempo de espera de respuesta:	3	▼ (Segundos)

Tabla 4: Configuración del puerto serie

Opción	Descripción	Valor
Modo	Sirve para seleccionar el modo de uso del puerto COM de la EGX (Maestro o Esclavo). <i>NOTA: Cuando se cambia el valor de Modo, se reinicia la EGX.</i>	Maestro, Esclavo Valor predeterminado: Maestro
Interfaz física	Sirve para seleccionar el modo de cableado físico del puerto serie de la EGX.	RS485 4 hilos, RS485 2 hilos o RS232 Valor predeterminado: RS485 2 hilos
Modo de transmisión	Permite seleccionar el modo de transmitir datos en una conexión serie.	Modo Maestro: Automático, Modbus ASCII Modo Esclavo: Modbus RTU, Modbus ASCII Valor predeterminado: <ul style="list-style-type: none"> • Modo Maestro: Automático • Modo Esclavo: Modbus RTU <i>NOTA: El modo Automático le permite comunicarse con dispositivos esclavos Modbus RTU, Jbus y PowerLogic™ (SY/MAX) en el mismo bus de comunicaciones serie.</i>
Velocidad en baudios	Sirve para seleccionar la velocidad de transmisión de datos en una conexión serie.	2400, 4800, 9600, 19200, 38400, 56000*, 57600* Valor predeterminado: 19200
Paridad	Sirve para seleccionar si se comprueba la precisión de los datos con un bit de paridad.	Par, Impar o Ninguna Valor predeterminado: Par
Tiempo de espera de respuesta	Permite seleccionar el tiempo que esperará la EGX para recibir respuesta de un dispositivo serie.	0,1 a 10 segundos Predeterminado: 3 segundos
Conexiones Modbus TCP/IP remotas (sólo modo Esclavo)	Define una lista de direcciones Modbus TCP/IP que utilizará la EGX durante la comunicación en modo Esclavo.	—

* Sólo está disponible si la interfaz física y el modo de transmisión son RS232 y Modbus ASCII respectivamente.

Lista de dispositivos de la EGX

Antes de comenzar, tenga en cuenta las consideraciones siguientes:

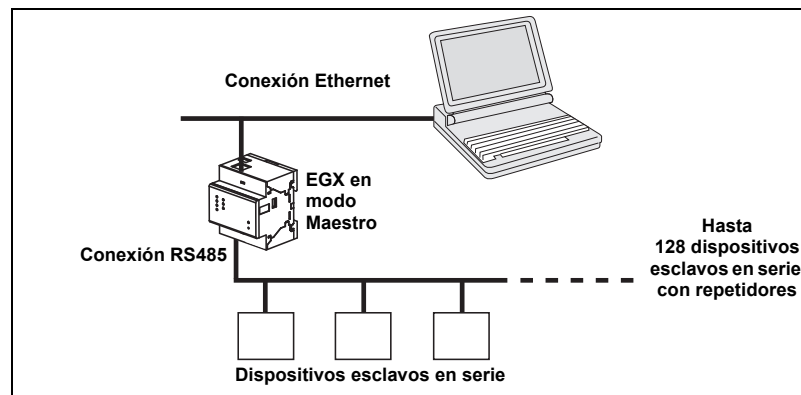
En relación con el uso del modo Maestro del puerto COM:

- No es obligatorio definir los dispositivos RTU/Jbus en la lista de dispositivos, pero le ayudará a gestionar el sistema.
- Los dispositivos con protocolo PowerLogic™ (SY/MAX) se deben definir en la lista de dispositivos.

NOTA: No utilice las direcciones serie esclavas 1 o 16 en el modo de transmisión Automático en un bus de comunicaciones serie con protocolos mixtos (por ejemplo, una sola conexión en bus de comunicaciones serie con algunos dispositivos que usen el protocolo PowerLogic™ y otros que usen el protocolo Modbus RTU/Jbus).

Configuración de la lista de dispositivos en modo Maestro

Figura 4: Topología del modo Maestro



Si seleccionó el modo Maestro en la página Puerto serie, siga los pasos descritos a continuación para configurar la lista de dispositivos:

Acción	Resultado
1. En la página Configuración, haga clic en Lista de dispositivos .	Abre la página Lista de dispositivos.
2. Seleccione el número de dispositivos visualizables (1 a 128) y, a continuación, haga clic en Aplicar .	Selecciona el número de ubicaciones visualizables que utilizar para definir los dispositivos esclavos en serie conectados a la EGX.
3. En el cuadro de texto ID local , escriba el identificador local (dirección) del dispositivo esclavo en serie.	Introduce la dirección local del dispositivo.
4. Seleccione el protocolo .	Selecciona el protocolo correspondiente al dispositivo conectado.
5. Repita los pasos 3 y 4 hasta introducir todos los dispositivos.	Introduce todos los dispositivos conectados.
6. Haga clic en Aplicar .	Actualiza los valores de Lista de dispositivos.

Figura 5: Página Lista de dispositivos en modo Maestro

Lista de dispositivos

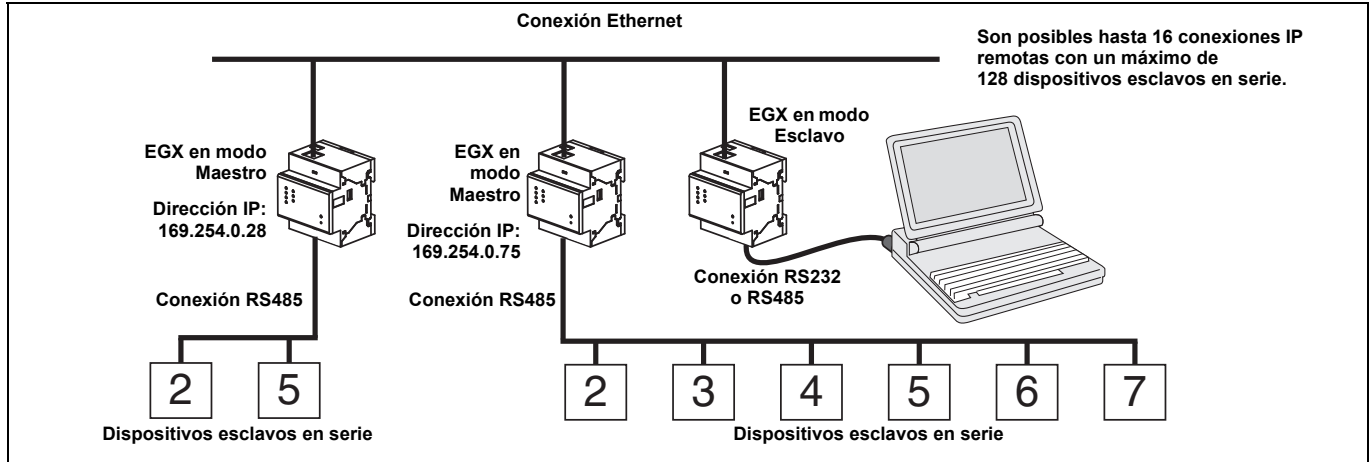
Número de dispositivos visualizables:

Protocolo	ID local
Modbus <input type="text" value="1"/>	1
PowerLogic <input type="text" value="2"/>	2
Modbus <input type="text" value="4"/>	4
Modbus <input type="text" value="7"/>	7
Modbus <input type="text" value="212"/>	212
Modbus <input type="text" value=""/>	
Modbus <input type="text" value=""/>	
Modbus <input type="text" value=""/>	

Configuración de la lista de dispositivos en modo Esclavo

El modo Esclavo del puerto serie permite que los dispositivos Modbus maestros en serie accedan a la información de los dispositivos esclavos en serie en una red TCP/IP. La Figura 6 a continuación ilustra cómo se conectan los dispositivos a través de los valores de la lista de dispositivos de la Figura 7.

Figura 6: Topología del modo Esclavo



Si seleccionó el modo Esclavo en la página Puerto serie, siga los pasos descritos a continuación para configurar la lista de dispositivos:

Acción	Resultado
1. En la página Configuración, haga clic en Lista de dispositivos .	Abre la página Lista de dispositivos.
2. Seleccione el número de dispositivos visualizables (1 a 128) y, a continuación, haga clic en Aplicar .	Selecciona el número de ubicaciones visualizables que se puede utilizar para definir los dispositivos Modbus TCP/IP remotos.
3. Seleccione la conexión .	Selecciona la dirección Modbus TCP/IP que se asocia con el identificador remoto.
4. En el cuadro de texto ID local , escriba el identificador local (dirección) del dispositivo esclavo en serie.	Introduce la dirección del dispositivo que utilizará el dispositivo Modbus maestro local para acceder al dispositivo remoto.
5. En el cuadro de texto ID remoto , escriba el identificador remoto (dirección) del dispositivo esclavo en serie.	Introduce la dirección esclava en serie del dispositivo de conexión remota.
6. Repita los pasos 3 a 5 hasta introducir todos los dispositivos.	Introduce toda la información de asignaciones de modo que la EGX se comunice con los dispositivos remotos.
7. Haga clic en Aplicar .	Actualiza los valores de Lista de dispositivos.

Figura 7: Página Lista de dispositivos en modo Esclavo

Lista de dispositivos

Número de dispositivos visualizables:

Conexión	ID local	ID remoto
157.198.184.86	1	2
157.198.184.82	2	5
157.198.184.82	4	2
157.198.184.86	7	
157.198.184.82	6	4
Puerto serie		
Puerto serie		
Puerto serie		

Cuentas de usuario

A los usuarios de la EGX se les asignan nombres de usuario y contraseñas. Cada usuario pertenece a un grupo, cuyos derechos de acceso a las páginas web de la EGX los asigna el administrador de la EGX.

NOTA: Existen dos cuentas de usuario predeterminadas: Administrator (Administrador), cuya contraseña es "Gateway", y Guest (Invitado), cuya contraseña es "Guest".

Acción	Resultado
1. En la página Configuración, haga clic en Cuentas de usuario .	Abre la página Cuentas de usuario.
2. Si desea cambiar el nombre de un grupo, escriba el nuevo nombre en uno de los cuadros de texto Grupos (no se puede cambiar el nombre del grupo Administradores).	Introduce un nuevo nombre de grupo.
3. En la sección Usuarios, introduzca un nombre (1 a 24 caracteres) y contraseña (0 a 12 caracteres) para el nuevo usuario. <i>NOTA: Los nombres de usuario y las contraseñas respetan mayúsculas y minúsculas y sólo pueden contener caracteres alfanuméricos.</i>	Introduce el nombre y la contraseña de un usuario.
4. Seleccione un grupo y el idioma predeterminado aplicables al nuevo usuario.	Selecciona el grupo y el idioma para un usuario.
5. Repita los pasos 3 y 4 por cada usuario adicional que desee agregar.	Continúa añadiendo usuarios.
6. Haga clic en Aplicar .	Guarda toda la configuración de las cuentas de usuario.

Tabla 5: Cuentas y contraseñas de la EGX

Cuenta	Contraseña predeterminada
Administrator	Gateway
Guest	Guest
Cuentas definidas por el usuario (hasta 11 cuentas)	Sin valor predeterminado. La contraseña la define el usuario.

Figura 8: Página Cuentas de usuario

The screenshot shows the 'Cuentas de usuario' configuration interface. At the top, there's a title 'Cuentas de usuario' and a sub-section 'Grupos' with four buttons: 'Administrators', 'Engineering', 'Operations', and 'Maintenance'. Below this is the 'Usuarios' section, which is a table with four columns: 'Nombre', 'Contraseña', 'Grupo', and 'Idioma'. The table has 11 rows. The first row is for 'Administrator' with a password of 'Gateway', group 'Administrators', and language 'Español'. The second row is for 'Guest' with a password of 'Guest', group 'Maintenance', and language 'Inglés'. The remaining 9 rows are empty. At the bottom of the table is an 'Aplicar' button.

Acceso a páginas web

Acción	Resultado
1. En la página Configuración, haga clic en Acceso a página Web .	Abre la página Acceso a página Web.
2. En la fila Ethernet y TCP/IP , seleccione el nivel de acceso (Ninguna, Sólo lectura o Completo) que tiene cada grupo de usuarios para la página web Ethernet y TCP/IP.	Consulte la Tabla 6 a continuación para ver una explicación de los niveles de acceso correspondientes a cada grupo.

Acción	Resultado
3. Para permitir el acceso de invitados a la página web, seleccione Sólo lectura en la columna Guest . <i>NOTA: Si el grupo Guest es de sólo lectura, otros grupos se pueden configurar como Sólo lectura o Completo.</i>	Permite que el grupo Guest predeterminado acceda a la página web.
4. Repita los pasos 2 y 3 para las filas Puerto serie, Lista de dispositivos, Estadísticas y Lectura de registros de dispositivo.	Selecciona el nivel de acceso para cada página web.
5. Haga clic en Aplicar .	Guarda los valores de las contraseñas.

Tabla 6: Acceso de grupo

Grupo	Acceso
Administrator	Acceso completo a todas las páginas web. <i>NOTA: Para garantizar la seguridad del sistema, le recomendamos que cambie la contraseña predeterminada del administrador la primera vez que se conecte al sistema.</i>
Guest	Acceso de sólo lectura a las páginas web seleccionadas.
Tres grupos definidos por el usuario	Al elegir entre las siguientes opciones, el administrador asigna el acceso a las páginas web para cada grupo. Los niveles de acceso son los siguientes: <ul style="list-style-type: none"> • Ninguna: el grupo no tiene acceso a la página web seleccionada. • Sólo lectura: la contraseña le concede al grupo acceso de sólo lectura a la página web seleccionada. • Completo: el grupo tiene el mismo acceso que el grupo de administradores a la página web seleccionada.

Figura 9: Página Acceso a página Web

Acceso a página Web

	Engineering	Operations	Maintenance	Guest
Ethernet y TCP/IP	Sólo lectura ▼	Sólo lectura ▼	Sólo lectura ▼	Ninguna ▼
Puerto serie	Sólo lectura ▼	Sólo lectura ▼	Sólo lectura ▼	Ninguna ▼
Lista de dispositivos	Sólo lectura ▼	Sólo lectura ▼	Sólo lectura ▼	Ninguna ▼
Estadísticas	Sólo lectura ▼	Sólo lectura ▼	Sólo lectura ▼	Ninguna ▼
Lectura de registros de dispositivo	Sólo lectura ▼	Sólo lectura ▼	Sólo lectura ▼	Ninguna ▼

Filtrado de Modbus TCP/IP

Esta función permite al administrador asignar o denegar el acceso que los clientes Modbus TCP/IP tienen a los dispositivos esclavos en serie conectados a la EGX.

*NOTA: Existe una dirección Modbus TCP/IP anónima (**. *. *. *. **) que se puede configurar como Sólo lectura o Ninguna. Si la configura como **Sólo lectura**, permitirá que cualquier cliente Modbus TCP/IP que no esté en la lista de filtrado acceda a los dispositivos esclavos en serie con acceso de sólo lectura. Si la configura como **Ninguna**, bloqueará a todos los clientes Modbus TCP/IP que no estén en la lista de filtrado.*

Acción	Resultado
1. En la página Configuración, haga clic en Filtrado de Modbus TCP/IP .	Abre la página Filtrado de Modbus TCP/IP.
2. Marque la casilla de verificación Activar filtrado .	Activa el filtrado.
3. En la columna Dirección IP , introduzca la dirección del cliente Modbus TCP/IP.	Introduce la dirección IP de un cliente Modbus TCP/IP que tendrá acceso a los dispositivos serie conectados a la EGX.
4. En la columna Nivel de acceso , seleccione Sólo lectura o Completo.	Selecciona el nivel de acceso para la correspondiente dirección IP. Cuando se establece como Sólo lectura, sólo se permiten los siguientes códigos de función Modbus TCP/IP: Decimal: 1, 2, 3, 4, 7, 8, 11, 12, 17, 20, 24, 43, 100 Hexadecimal: 01, 02, 03, 04, 07, 08, 0B, 0C, 11, 14, 18, 2B, 64
5. Repita los pasos 3 y 4 para agregar más direcciones IP.	Continúa añadiendo direcciones IP para el filtrado.
6. Haga clic en Aplicar .	Guarda la lista de filtrado de direcciones Modbus TCP/IP.

Figura 10: Página Filtrado de Modbus TCP/IP

Filtrado de Modbus TCP/IP

Activar filtrado:

Dirección IP				Nivel de acceso
***	***	***	***	Sólo lectura ▼
169	254	0	33	Completo ▼
				Sólo lectura ▼
				Sólo lectura ▼
				Sólo lectura ▼
				Sólo lectura ▼
				Sólo lectura ▼
				Sólo lectura ▼
				Sólo lectura ▼
				Sólo lectura ▼
				Sólo lectura ▼

Parámetros del SNMP

La EGX es compatible con el protocolo SNMP, lo cual permite que un administrador de red acceda de manera remota a una EGX mediante un gestor de SNMP y visualice el estado de la conexión y los diagnósticos en formato MIB-II.

Acción	Resultado
1. En la página Configuración, haga clic en Parámetros del SNMP .	Abre la página Parámetros del SNMP.
2. Marque la casilla de verificación Activar SNMP para habilitar el protocolo simple de administración de redes. <i>NOTA: Si quita la marca de Activar SNMP y hace clic en Aplicar, se reiniciará la EGX y se desactivará la funcionalidad SNMP.</i>	Activa el protocolo SNMP.
3. Introduzca el contacto del sistema, el nombre del sistema, su ubicación, el nombre de la comunidad de sólo lectura y el nombre de la comunidad de lectura y escritura.	Introduce la información del sistema SNMP y los nombres de acceso de las comunidades.
4. Haga clic en Aplicar .	Guarda los valores del protocolo SNMP.

Figura 11: Página Parámetros del SNMP

Parámetros del SNMP

Activar SNMP:

Contacto del sistema:

Nombre del sistema:

Ubicación del sistema:

Nombre de comunidad de sólo lectura:

Nombre de comunidad de lectura y escritura:

Punto de acceso del sistema

El punto de acceso del sistema permite que la EGX100 difunda su existencia a todas las pasarelas EGX300 que estén conectadas a la red. Esta función está configurada para su ejecución de manera predeterminada, por lo que no es necesario configurar ningún parámetro adicional.

La pantalla de configuración de la Figura 12 de la página 11 le permitirá introducir la dirección IP del grupo y su información asociada.

Acción	Resultado
1. En el menú Configuración, haga clic en Punto de acceso del sistema .	Abre la ventana Punto de acceso del sistema.
2. Seleccione el puerto UDP, la dirección IP del grupo, el intervalo de introducción, el tiempo de espera, el período de vida de multidifusión y la comunidad. Consulte la Tabla 7 para ver las descripciones de los parámetros.	Selecciona la configuración del punto de acceso del sistema.
3. Haga clic en Aplicar . <i>NOTA: Para volver a la configuración predeterminada, haga clic en Predeterminados y, a continuación, en Aplicar.</i>	Aplica la configuración a la EGX100.

Tabla 7: Configuración del punto de acceso del sistema

Opción	Descripción	Valor
Activado	Cuando se marca esta casilla, las pasarelas EGX300 podrán detectar las EGX100 que tengan la misma dirección IP de grupo.	Activado, desactivado Predeterminado: Activado
Puerto UDP	Le permite establecer el número de puerto del puerto UDP empleado por la detección de la función Punto de acceso del sistema.	De 1 a 65535 Valor predeterminado: 59
Dirección IP del grupo	Este campo admite direcciones de unidifusión o multidifusión.	Valor predeterminado: 224.0.1.2
Intervalo de introducción	Periodo de tiempo transcurrido entre mensajes de bienvenida emitidos por esta EGX100 con que se anuncia su presencia a otros dispositivos de punto de acceso del sistema de Schneider Electric que se encuentren en red.	De 1 a 65534 segundos Predeterminado: 300 segundos
Tiempo de espera	Periodo de tiempo durante el cual los mensajes de bienvenida que emite esta EGX100 deberían ser retenidos por los destinatarios antes de considerar que esta no está disponible.	De 2 a 65535 segundos Predeterminado: 600 segundos
Período de vida de multidifusión	Le permite controlar la amplitud del área de la red para detectar otros dispositivos. Se controla mediante el número de veces que se permite el reenvío de la multidifusión a otros.	De 1 a 255 saltos de router Valor predeterminado: 1
Comunidad	Los dispositivos de un grupo pueden dividirse en comunidades. Las pasarelas EGX300 son capaces de detectar las EGX100 que tengan la misma dirección IP del grupo y el mismo número de comunidad. Si se configura el número de comunidad como "0", ello permitirá que una EGX300 detecte todas las EGX100 con la misma dirección IP de grupo independientemente del valor del parámetro de comunidad.	De 0 a 65535 Valor predeterminado: 0

Figura 12: Punto de acceso del sistema

Punto de acceso del sistema

Activado:

Puerto UDP: (1-65535)

Dirección IP del grupo: . . .

Intervalo de introducción: (1-65534 Segundos)

Tiempo de espera: (2-65535 Segundos)

Período de vida de multidifusión: (1-255 Saltos)

Comunidad: (0-65535)

Diagnósticos

Para acceder a los vínculos de la página web Diagnósticos, haga clic en **Diagnósticos** en la barra de menús de la EGX.

Estadísticas

Acción	Resultado
1. En la página Diagnósticos, haga clic en Estadísticas .	Abre la página Estadísticas (consulte la Figura 13). <i>NOTA: La página Estadísticas muestra los datos basados en el modo seleccionado en "Puerto serie" en la página 5.</i>
2. Visualice los datos.	Consulte "Interpretación de las estadísticas" en la página 13.
3. Haga clic en Restablecer .	Restablece los datos de diagnóstico acumulativos de la EGX a 0.

NOTA: Esta página ilustra las lecturas acumuladas desde la última vez que se activó la EGX. Si la EGX pierde alimentación, todos los valores acumulativos volverán a cero.

Figura 13: Página Estadísticas

Lectura con puerto serie en MODO MAESTRO	Lectura con puerto serie en MODO ESCLAVO
Estadísticas	Estadísticas
Ethernet	Ethernet
Estado de conexión: 10BaseT-HD	Estado de conexión: 10BaseT-HD
Tramas transmitidas satisfactoriamente: 12	Tramas transmitidas satisfactoriamente: 817
Colisiones: 0	Colisiones: 0
Colisiones excesivas: 0	Colisiones excesivas: 0
Tramas recibidas satisfactoriamente: 11	Tramas recibidas satisfactoriamente: 3748
Errores de CRC de tramas: 0	Errores de CRC de tramas: 0
Errores de alineación: 0	Errores de alineación: 0
Tramas demasiado largas: 0	Tramas demasiado largas: 0
Tramas demasiado cortas: 0	Tramas demasiado cortas: 0
Modbus TCP/IP	Modbus TCP/IP
Tramas enviadas: 0	Tramas enviadas: 0
Tramas recibidas: 0	Tramas recibidas: 0
Errores de protocolo: 0	Errores de protocolo: 0
Conexiones activas : 0	Mensajes salientes de lectura: 0
Conexiones acumuladas: 0	Mensajes salientes de escritura: 0
Máximo de conexiones: 0	Mensajes entrantes de respuesta: 0
Mensajes entrantes de lectura: 0	Puerto serie
Mensajes entrantes de escritura: 0	Tramas enviadas: 0
Mensajes salientes de respuesta: 0	Tramas recibidas: 0
Puerto serie	Errores de CRC de tramas: 0
Tramas enviadas: 0	Errores de protocolo: 0
Tramas recibidas: 0	Mensajes entrantes de lectura: 0
Errores de CRC de tramas: 0	Mensajes entrantes de escritura: 0
Errores de protocolo: 0	Información de pasarela
Tiempo de espera: 0	Versión del firmware: 3.000
Mensajes salientes de lectura: 0	Tiempo de inactividad del sistema: 60%
Mensajes salientes de escritura: 0	Dirección MAC: 00:80:67:80:35:5A
Información de pasarela	Número de serie: 33000001
Versión del firmware: 3.000	Número del modelo: EGX100MG
Tiempo de inactividad del sistema: 23%	Versión del hardware: A1
Dirección MAC: 00:80:67:80:35:5A	Fecha de fabricación: 2005-Ene-01
Número de serie: 33000001	<input type="button" value="Restablecer"/>
Número del modelo: EGX100SD	
Versión del hardware: A1	
Fecha de fabricación: 2005-Ene-01	
<input type="button" value="Restablecer"/>	

Interpretación de las estadísticas

Estadística	Descripción
Ethernet	
Estado de conexión	Cadena de estado que representa la velocidad y la configuración bidireccional que se utiliza para comunicarse con el dispositivo conectado.
Tramas transmitidas satisfactoriamente	Contador que aumenta cada vez que se envía una trama correctamente.
Colisiones	Contador que aumenta cada vez que se reenvía una trama debido a detección de colisiones.
Colisiones excesivas	Contador que aumenta cada vez que no se puede enviar una trama porque ha alcanzado el estado de colisión máxima basado en el algoritmo de retroceso exponencial binario truncado.
Tramas recibidas satisfactoriamente	Contador que aumenta cada vez que se recibe una trama correctamente.
Errores de CRC de tramas	Contador que aumenta cada vez que se recibe una trama que contiene una suma de verificación/CRC que no coincide con la calculada.
Errores de alineación	Contador que aumenta cada vez que se recibe una trama que contiene un error de suma de verificación/CRC y que no termina en un borde de trama de 8 bits.
Tramas demasiado largas	Contador que aumenta cada vez que se recibe una trama que excede el tamaño máximo definido en las normas (tramas de más de 1518 bytes).
Tramas demasiado cortas	Contador que aumenta cada vez que se recibe una trama que no alcanza el tamaño mínimo definido en las normas (tramas de menos de 64 bytes).
Modbus TCP/IP	
Tramas enviadas	Contador que aumenta cada vez que se envía una trama.
Tramas recibidas	Contador que aumenta cada vez que se recibe una trama.
Errores de protocolo	Contador que aumenta cada vez que se recibe un mensaje mal formado.
Conexiones activas ¹	Valor de estado que representa el número de conexiones activas en el momento de actualización de la página de diagnósticos. Se admite un máximo de 32 conexiones. Al hacer clic en Conexiones activas, se abre una ventana nueva con una lista de todas las conexiones clientes activas.
Conexiones acumuladas ¹	Contador que aumenta cada vez que se realiza una conexión a la EGX.
Máximo de conexiones ¹	Valor de estado que representa el número máximo de conexiones que pueden estar activas en un momento dado.
Mensajes entrantes de lectura ¹	Contador que aumenta cada vez que se recibe un mensaje de solicitud de lectura.
Mensajes salientes de lectura ²	Contador que aumenta cada vez que se envía un mensaje de solicitud de lectura.
Mensajes entrantes de escritura ¹	Contador que aumenta cada vez que se recibe un mensaje de solicitud de escritura.
Mensajes salientes de escritura ²	Contador que aumenta cada vez que se envía un mensaje de solicitud de escritura.
Mensajes entrantes de respuesta ²	Contador que aumenta cada vez que se recibe un mensaje de respuesta.
Mensajes salientes de respuesta ¹	Contador que aumenta cada vez que se envía un mensaje de respuesta.
Puerto serie	
Tramas enviadas	Contador que aumenta cada vez que se envía una trama.
Tramas recibidas	Contador que aumenta cada vez que se recibe una trama.
Errores de CRC de tramas	Contador que aumenta cada vez que se recibe un mensaje que contiene una CRC que no coincide con la calculada. Suele ser el resultado de problemas de cableado.
Errores de protocolo	Contador que aumenta cada vez que se recibe un mensaje mal formado.
Tiempos de espera	Contador que aumenta cada vez que se envía un mensaje de solicitud sin recibir el mensaje de respuesta correspondiente durante el tiempo permitido. Los tiempos de espera de respuesta suelen ser el resultado de errores de configuración o un dispositivo que no responde.
Mensajes entrantes de lectura ²	Contador que aumenta cada vez que se recibe un mensaje de solicitud de lectura.
Mensajes salientes de lectura ¹	Contador que aumenta cada vez que se envía un mensaje de solicitud de lectura.
Mensajes entrantes de escritura ²	Contador que aumenta cada vez que se recibe un mensaje de solicitud de escritura.
Mensajes salientes de escritura ¹	Contador que aumenta cada vez que se envía un mensaje de solicitud de escritura.

¹ Disponible cuando el puerto serie está en modo Maestro.

² Disponible cuando el puerto serie está en modo Esclavo.

Estadística	Descripción
Información de pasarela	
Versión del firmware	Versión del firmware que está instalada en la EGX.
Tiempo de inactividad del sistema	Porcentaje del 0% al 100% que indica el tiempo medio de procesador que no se utiliza.
Dirección MAC	Dirección exclusiva del hardware Ethernet de una EGX.
Número de serie	Número de serie de la EGX.
Número de modelo	Número de modelo de la EGX (100).
Versión del hardware	Versión del hardware de la EGX.
Fecha de fabricación	Fecha de fabricación de la EGX.

Lectura de registros de dispositivo

Acción	Resultado
1. En la página Diagnósticos, haga clic en Lectura de registros de dispositivo .	Abre la página Lectura de registros de dispositivo.
2. Introduzca el identificador del dispositivo, el número de registro de inicio y el número de registros que desea leer.	Introduce los valores con los que empezar a leer los registros del dispositivo especificado.
3. Seleccione un tipo de datos.	Selecciona el tipo de datos que visualizar.
4. Para modificar la visualización de los datos de la columna Valor, seleccione Decimal , Hexadecimal , Binario o ASCII .	Selecciona el modo de visualización de los valores de los datos.
5. Haga clic en Lectura .	Muestra los datos solicitados.

Tabla 8: Parámetros de lectura de registros de dispositivo de la EGX

Opción	Descripción	Predet.
ID de dispositivo	Dirección del dispositivo cuyos registros se leen.	1
Registro de inicio	Primer registro para leer.	1000
Número de registros	Número de registros para leer (1 a 10).	10
Columna Registro	Muestra una lista con los números de los registros.	—
Columna Valor	Muestra una lista de los datos almacenados en un registro. Los valores recuperados dependen del dispositivo conectado a la EGX. Consulte la documentación correspondiente al dispositivo conectado para obtener más información acerca de los valores de los registros almacenados.	—
Tipo de datos	Seleccione Registros de retención, Registros de entrada, Bobinas de salida, Bobinas de entrada o ID de dispositivo para especificar los valores recuperados.	Registros de retención
Opciones Decimal, Hexadecimal, Binario o ASCII	Seleccione una opción para especificar el modo de visualización de los datos de la columna Valor.	Decimal

Figura 14: Página Lectura de registros de dispositivo

Lectura de registros de dispositivo

ID de dispositivo:	Registro de inicio:	Número de registros:
1	1000	10

Registro	Valor	
1000	0	Tipo datos: Registros de retención ▾ <input checked="" type="radio"/> Decimal <input type="radio"/> Hexadecimal <input type="radio"/> Binario <input type="radio"/> ASCII Lectura
1001	0	
1002	0	
1003	0	
1004	0	
1005	0	
1006	0	
1007	0	
1008	0	
1009	0	

Firmware

El firmware de la EGX se puede actualizar utilizando el protocolo de transferencia de archivos (FTP). Consulte el sitio www.powerlogic.com o a su distribuidor local para obtener la última actualización del firmware.

Identificación de la versión del firmware

Acción	Resultado
1. Conéctese a la EGX.	Abre la página de inicio de la EGX.
2. Localice la versión del firmware en la parte inferior izquierda de la página. <i>NOTA: Si ha actualizado el firmware recientemente, pulse F5 para actualizar la página web y actualizar el número de firmware que aparece en ella.</i>	Señala la versión del firmware de la EGX.
3. También puede seleccionar Diagnósticos > Estadísticas para ver la versión del firmware en la sección Información de pasarela.	También señala la versión del firmware de la EGX.

Obtención de firmware nuevo

Acción	Resultado
1. Inicie Internet Explorer, escriba "www.powerlogic.com" en la barra de direcciones y luego pulse Intro.	Abre el sitio web de PowerLogic.
2. Seleccione su país y luego haga clic en Go (Ir). <i>NOTA: Si ha seleccionado Estados Unidos, vaya al paso 3. De lo contrario, siga la navegación del sitio web específico del país para obtener el firmware de la EGX.</i>	Abre el sitio web de PowerLogic de su país.
3. Seleccione Firmware Downloads > Products > PowerLogic Communications > EGX100 (Descargas de firmware > Productos > Comunicaciones de PowerLogic > EGX100).	Muestra las descargas disponibles para la EGX100.
4. Haga clic en el vínculo EGX100 Firmware (Firmware de la EGX100).	Abre la página de instrucciones del firmware de la EGX100.

Acción	Resultado
<p>5. Haga clic en la ficha Files (Archivos) y, a continuación, en el vínculo del archivo de firmware (eg#####.bin, donde "#####" es el número del firmware).</p> <p><i>NOTA: Debe iniciar sesión para descargar los archivos del firmware. Si no tiene un nombre de usuario ni una contraseña, siga las instrucciones del sitio web.</i></p>	Muestra los nombres de archivo y, a continuación, abre el cuadro de diálogo Descarga de archivos.
6. Haga clic en Guardar .	Guarda el archivo de firmware.

Actualización del archivo de firmware

Acción	Resultado
1. Inicie Internet Explorer, escriba <i>ftp://</i> y la dirección IP de la EGX en la barra de direcciones (por ejemplo, <i>ftp://169.254.0.10</i>), y luego pulse Intro.	Abre el cuadro de diálogo Iniciar sesión como .
2. Escriba el nombre de usuario <i>Administrator</i> y la contraseña de administrador en los cuadros de texto, y luego haga clic en Iniciar sesión .	Abre una sesión de FTP con la EGX.
3. Localice el archivo de firmware guardado en el equipo, haga clic con el botón derecho en el archivo y luego haga clic en Copiar .	Copia el archivo de firmware en el portapapeles.
4. Haga clic con el botón derecho en la ventana de Internet Explorer y seguidamente haga clic en Pegar .	Copia el firmware en la EGX y esta se reinicia.
<i>NOTA: En vez de copiar y pegar el nombre de archivo del firmware, puede arrastrarlo y soltarlo en Internet Explorer.</i>	
5. Haga clic en el botón Cerrar en la ventana de Internet Explorer.	Cierra Internet Explorer y termina la conexión FTP con la EGX.
6. Para verificar que se ha actualizado correctamente la versión del firmware, siga los pasos de "Identificación de la versión del firmware" en la página 15.	Verifica la versión actualizada del firmware.

Índice alfabético

A

acceso a la EGX a través de una red 2
acceso a páginas web
configuración 8

C

configuración
de Ethernet y TCP/IP 3
de la lista de dispositivos en modo
Esclavo 7
de la lista de dispositivos en modo
Maestro 6
cuentas de usuario
configuración 8

D

desconectar 2
detección de direcciones IP duplicadas 4
diagnósticos 12

E

EGX
configuración 3
inicio de sesión 2
interfaz de usuario 3
equipo físico 1
estadísticas 12
interpretación 13

F

filtrado de Modbus TCP/IP
configuración 9
firmware 15
actualización 15
identificación de la versión 15
obtención de nuevo 15

I

inicio de sesión en la EGX 2
interfaz de usuario 3
introducción 1

L

lista de dispositivos
configuración 6
modo Esclavo 7
modo Maestro 6

O

otros recursos 2

P

parámetros del SNMP
configuración 10
protocolos Ethernet 1
compatibles 1
puerto serie
configuración 5

punto de acceso del sistema
configuración 11

R

registros de dispositivo 14
lectura 14

U

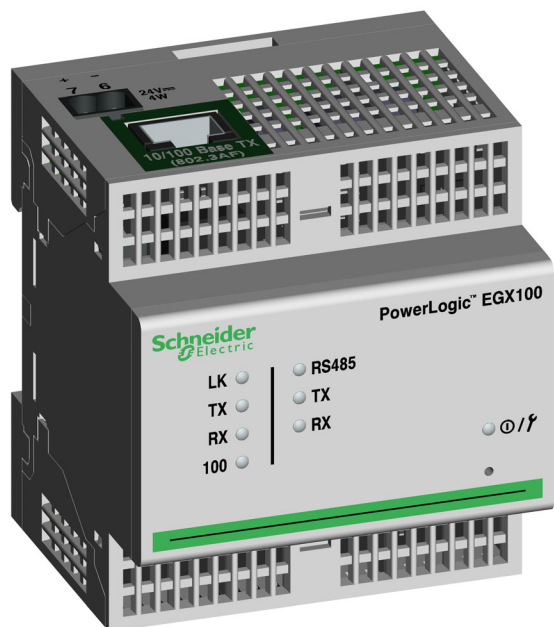
una red
acceso a través de 2

PowerLogic es una marca comercial de Schneider Electric en EE. UU., Francia y otros países. Las demás marcas comerciales son propiedad de sus respectivos propietarios.

Passerelle Ethernet PowerLogic™ EGX100

Manuel de l'utilisateur

63230-319-204B1
08/2012



Informations sur la sécurité

Informations importantes

Lisez attentivement ces directives et examinez l'équipement afin de vous familiariser avec lui avant l'installation, l'utilisation ou l'entretien. Les messages spéciaux qui suivent peuvent apparaître dans ce document ou sur l'appareillage. Ils vous avertissent de dangers potentiels ou attirent votre attention sur des renseignements pouvant éclaircir ou simplifier une procédure.



L'ajout de l'un ou l'autre des symboles à une étiquette de sécurité « Danger » ou « Avertissement » vous indique qu'un danger électrique existe et qu'il pourra y avoir des blessures corporelles si les directives ne sont pas suivies.



Ceci est le symbole d'une alerte de sécurité. Il sert à vous avertir d'un danger potentiel de blessures corporelles. Respectez toutes les consignes de sécurité accompagnant ce symbole pour éviter tout risque potentiel de blessure ou de mort.

DANGER

DANGER indique une situation de danger imminent qui, si elle n'est pas évitée, **entraînera** la mort ou des blessures graves.

AVERTISSEMENT

AVERTISSEMENT indique une situation de danger potentiel qui, si elle n'est pas évitée, **peut entraîner** la mort ou des blessures graves.

ATTENTION

ATTENTION indique une situation de danger potentiel qui, si elle n'est pas évitée, **peut entraîner** des blessures mineures ou modérées.

AVIS

AVIS est utilisé pour les applications sans risque de dommages corporels. Le symbole d'alerte de sécurité ne peut être utilisé avec ce terme.

Veillez noter

Seul un personnel qualifié doit effectuer l'installation, l'utilisation, l'entretien et la maintenance du matériel électrique. Schneider Electric décline toute responsabilité quant aux conséquences éventuelles découlant de l'utilisation de ce matériel.

Par personne qualifiée, on entend un technicien compétent en matière de construction, d'installation et d'utilisation de ce type d'installation électrique et formé aux procédures de sécurité, donc capable de détecter et d'éviter les risques associés.

Avis

Avis FCC section 15

Cet appareil a subi des essais et a été reconnu conforme aux limites imposées aux appareils numériques de classe A, selon le paragraphe 15 de la réglementation FCC (Commission fédérale des communications des États-Unis). Ces limites sont conçues pour fournir une protection raisonnable contre les interférences nuisibles lorsqu'un appareil est employé dans un environnement commercial. Cet appareil produit, utilise et peut émettre de l'énergie radiofréquence et, s'il n'est pas installé ou utilisé conformément au mode d'emploi, il peut provoquer des interférences nuisibles aux communications radio. Le fonctionnement de cet appareil dans une zone résidentielle est susceptible de provoquer des interférences nuisibles, auquel cas l'utilisateur devra corriger les interférences à ses propres frais. Cet appareil numérique appartient à la Classe A et est conforme à la norme ICES-003 du Canada.

Table des matières

Introduction	1
Protocoles Ethernet pris en charge	1
Matériel	1
Ressources supplémentaires	2
Accès à la passerelle EGX via un réseau	2
Connexion à la passerelle EGX	2
Déconnexion	2
Présentation de l'interface utilisateur EGX	3
Configuration	3
Paramètres Ethernet et TCP/IP	3
Détection des adresses IP identiques	4
Port série	5
Liste des appareils	6
Configuration de la liste des appareils en mode Maître	6
Configuration de la liste des appareils en mode Esclave	7
Comptes utilisateur	8
Accès aux pages Web	8
Filtrage Modbus TCP/IP	9
Paramètres SNMP	10
Point d'accès système	11
Diagnostics	12
Statistiques	12
Interprétation des statistiques	13
Lecture de registres d'appareils	14
Logiciel embarqué (firmware)	15
Recherche de la version du logiciel embarqué	15
Obtention du dernier logiciel embarqué	15
Mise à jour du logiciel embarqué	16
Index	17

Introduction

Ce manuel doit être utilisé avec une passerelle PowerLogic™ EGX100 équipée de la version 3.0 ou ultérieure du logiciel embarqué (firmware). Pour des informations concernant l'installation, consultez le manuel d'installation.

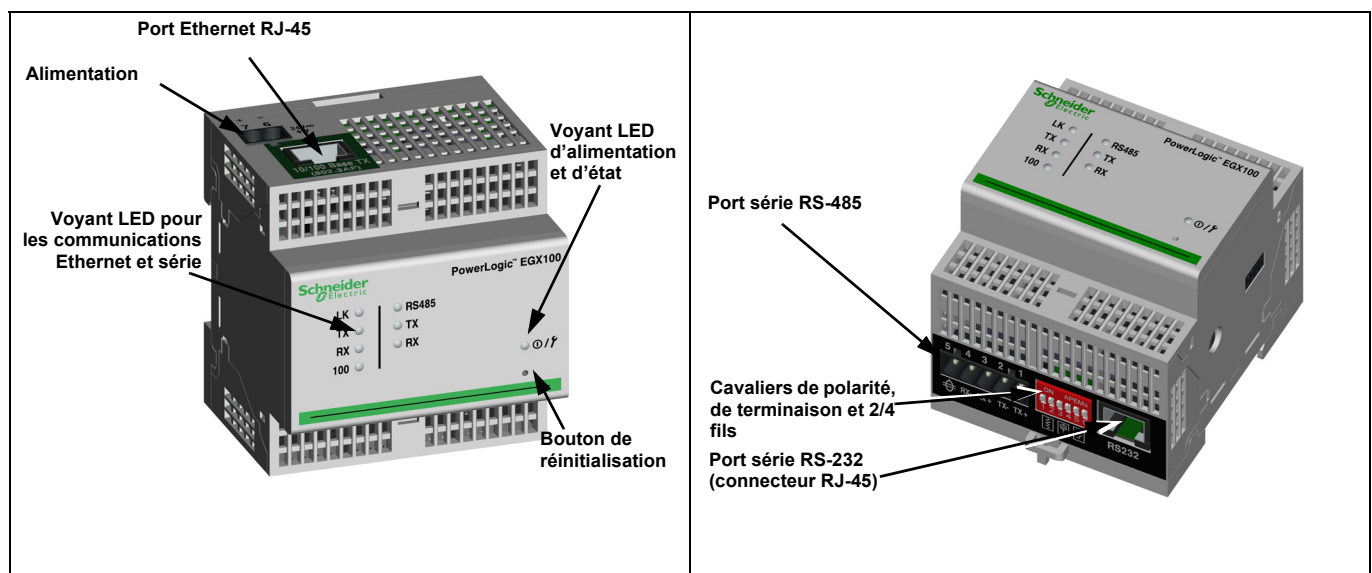
La passerelle EGX100 est un appareil de communication qui assure la connectivité entre des appareils Ethernet (Modbus TCP/IP) et série. Elle permet à des clients Modbus TCP/IP d'accéder aux informations d'appareils esclaves en série. Elle permet aussi à des appareils série maîtres d'accéder aux informations d'appareils esclaves répartis sur un réseau Ethernet.

Protocoles Ethernet pris en charge

La passerelle EGX prend en charge les protocoles Ethernet suivants :

- **Modbus TCP/IP** : Modbus TCP/IP est une combinaison du protocole Modbus qui permet les communications maître/esclave entre appareils et du protocole TCP/IP qui permet de communiquer par le biais d'une connexion Ethernet. Modbus TCP/IP permet d'échanger des données entre la passerelle EGX et d'autres appareils compatibles Modbus TCP/IP via le port TCP 502.
- **Hypertext Transfer Protocol (HTTP)** : HTTP est un protocole réseau qui gère la remise de fichiers et de données sur le Web. Il fournit les fonctionnalités de serveur Web via le port TCP 80. La configuration à distance de la passerelle EGX et l'affichage des diagnostics sont possibles en utilisant un navigateur Web.
- **File Transfer Protocol (FTP)** : FTP est un protocole réseau qui permet de transférer des fichiers d'un ordinateur à un autre sur Internet. Le protocole FTP s'utilise pour transférer les mises à jour dans la passerelle EGX via le port TCP 21.
- **Simple Network Management Protocol (SNMP)** : Basé sur le format MIB2, SNMP permet d'enregistrer et d'identifier des informations de diagnostic utilisées pour la gestion du réseau via le port UDP 161.
- **ARP (Address Resolution Protocol)** : ARP convertit des adresses IP en adresses Ethernet. La passerelle EGX envoie des requêtes ARP pour vérifier si son adresse IP est déjà utilisée (voir « Détection des adresses IP identiques », page 4).

Matériel



Ressources supplémentaires

Documentation : Rendez-vous sur le site www.powerlogic.com et sélectionnez votre pays. Sélectionnez Library (bibliothèque) > PowerLogic Products (produits PowerLogic) > Communications > EGX100 Gateway (passerelle EGX100), puis cliquez sur le document que vous souhaitez télécharger.

REMARQUE : Si vous avez sélectionné un pays autre que les États-Unis, suivez les étapes spécifiques à chaque pays pour obtenir la documentation EGX.

Logiciel embarqué (firmware) : la section « Logiciel embarqué (firmware) », page 15 explique comment télécharger et installer les mises à jour du logiciel embarqué.

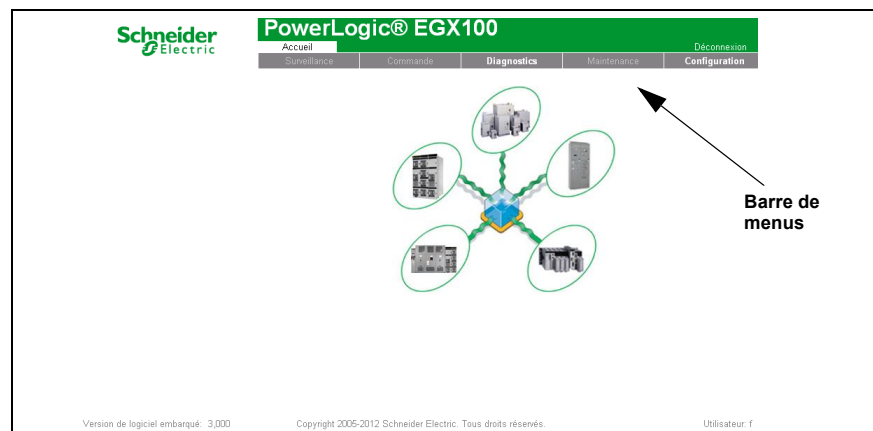
Accès à la passerelle EGX via un réseau

Après avoir configuré les paramètres Ethernet (voir le manuel d'installation), vous pouvez accéder à la passerelle EGX sur un réseau local Ethernet au moyen d'Internet Explorer 6.0 (ou d'une version ultérieure).

Connexion à la passerelle EGX

Action	Résultat
1. Lancez Internet Explorer 6.0 (ou version ultérieure).	Ouvre Internet Explorer.
2. Dans la zone Adresse , tapez l'adresse IP de la passerelle EGX (169.254.0.10 par défaut), puis appuyez sur Entrée.	Ouvre la boîte de dialogue de connexion.
3. Tapez votre nom d'utilisateur (<i>Administrator</i> par défaut) et votre mot de passe (<i>Gateway</i> par défaut) dans les zones appropriées, puis cliquez sur OK .	Saisit le nom d'utilisateur et le mot de passe, puis ouvre la page d'accueil EGX.
4. Cliquez sur Configuration pour accéder à la page de configuration EGX ou cliquez sur Diagnostics pour accéder à la page de diagnostic EGX.	Ouvre la page Configuration ou Diagnostics.

Figure 1 : Page d'accueil EGX



Déconnexion

Nous vous recommandons de vous déconnecter dès que vous n'avez plus besoin d'accéder à la passerelle EGX.

Pour fermer la session de configuration EGX en cours, cliquez sur **Déconnexion**.

Présentation de l'interface utilisateur EGX

La passerelle EGX est livrée avec huit pages Web préinstallées utilisées pour la configuration. Voir le Tableau 1 pour la description de chaque page.

Tableau 1 : EGX – Pages Web statiques

Page Web EGX	Description	Voir page
Configuration		
Ethernet et TCP/IP	Configure les paramètres des communications Ethernet et TCP/IP.	3
Port série	Définit ou modifie les paramètres des communications série.	5
Liste des appareils	Identifie les appareils série raccordés à la guirlande.	6
Comptes utilisateur ¹	Permet de créer ou modifier les noms de groupe.	8
Accès aux pages Web ¹	Sélectionne les droits d'accès aux pages Web pour chaque groupe d'utilisateurs.	8
Filtrage Modbus TCP/IP ¹	Configure les adresses IP qui peuvent accéder à la passerelle EGX via le protocole Modbus TCP/IP.	9
Paramètres SNMP ¹	Permet d'activer et de configurer le protocole SNMP (Simple Network Management Protocol), qui permet à la passerelle EGX de s'identifier auprès des appareils réseau qui demandent des données SNMP.	10
Point d'accès système ¹	Permet à la passerelle EGX100 de multidiffuser sa présence à toutes les passerelles EGX300 connectées au réseau.	11
Diagnostics		
Statistiques	Affiche les données de diagnostic utilisées pour rechercher des problèmes sur le réseau. Cette page contient également des informations sur votre passerelle EGX, notamment le numéro de série, la date de fabrication et l'adresse MAC (Media Access Control – contrôle d'accès au support).	12
Lecture de registres d'appareils	Permet aux administrateurs EGX de lire les données de registres d'un appareil série connecté à la passerelle EGX.	14

¹ Uniquement accessible par un administrateur

Configuration

Pour accéder aux liens de la page Configuration, cliquez sur **Configuration** dans la **barre de menus de la passerelle EGX**.

Paramètres Ethernet et TCP/IP

Action	Résultat
1. À la page Configuration, cliquez sur Ethernet et TCP/IP .	Ouvre la page Ethernet et TCP/IP.
2. Sélectionnez le format de trame et le type de support. Contactez votre administrateur réseau si vous ne connaissez pas ces informations.	Sélectionne le format de trame et le type de support.
3. Entrez l'adresse IP, le masque de sous-réseau et l'adresse de passerelle attribués à la passerelle EGX par votre administrateur réseau.	Configure les paramètres Ethernet de la passerelle EGX. <i>REMARQUE : Si vous saisissez une adresse IP déjà utilisée par un autre appareil, le système vous demande d'en saisir une autre. Voir « Détection des adresses IP identiques », page 4.</i>
4. Cliquez sur Appliquer .	Met à jour les paramètres Ethernet et TCP/IP de la passerelle EGX.

* Voir le Tableau 2, page 4 pour la liste des options.

REMARQUE : Après avoir effectué les modifications et cliqué sur **Appliquer**, la passerelle EGX redémarre.

Figure 2 : Page Ethernet et TCP/IP

Ethernet et TCP/IP

Ethernet

Adresse MAC - 00:80:67:80:52:A6

Format de trame:

Type de support:

Paramètres IP

Adresse IP: . . .

Masque de sous-réseau: . . .

Passerelle par défaut: . . .

Tableau 2 : Paramètres Ethernet et TCP/IP de la passerelle EGX

Option	Description	Valeur
Format de trame	Sélection du format des données envoyées à travers une connexion Ethernet.	Ethernet II, 802.3 SNAP Par défaut : Ethernet II
Type de support	Définition de la connexion Ethernet physique ou du type de support.	<ul style="list-style-type: none"> • 10T/100Tx Auto • 10BaseT-HD • 10BaseT-FD • 100BaseTx-HD • 100BaseTx-FD Par défaut : 10T/100Tx Auto
Adresse IP	Saisie de l'adresse IP statique de la passerelle EGX.	Par défaut : 169.254.0.10
Masque de sous-réseau	Saisie de l'adresse IP Ethernet du masque de sous-réseau.	Par défaut : 255.255.0.0
Passerelle par défaut	Saisie de l'adresse IP de la passerelle (routeur) utilisée pour les communications sur réseau étendu.	Par défaut : 0.0.0.0

Détection des adresses IP identiques

Lorsqu'elle est connectée au réseau, la passerelle EGX publie son adresse IP. Afin d'éviter les conflits d'adresses IP identiques, la passerelle EGX utilise le protocole ARP (Address Resolution Protocol) pour vérifier si un autre appareil du réseau utilise la même adresse IP. Le Tableau 3 ci-dessous explique comment la passerelle EGX gère une adresse IP en double qu'elle détecte.

Tableau 3 : Scénarios de détection des adresses IP identiques

Scénario	Adresse IP en double détectée	Voyant LED d'alimentation et d'état
Redémarrage / Rétablissement de l'alimentation	Rétablit l'adresse IP, le masque de sous-réseau et l'adresse par défaut de la passerelle EGX. Les demandes ARP sont envoyées toutes les 15 secondes jusqu'à ce que l'adresse IP soit disponible. Lorsque l'adresse est disponible, la passerelle EGX l'utilise.	Quatre clignotements, pause
Liaison Ethernet détectée		
Modification manuelle des adresses	La passerelle EGX conserve son adresse IP précédente et affiche un message qui indique que l'adresse IP est déjà utilisée par un autre appareil.	
Réception d'une demande ARP	Rétablit l'adresse IP, le masque de sous-réseau et l'adresse par défaut de la passerelle EGX si un appareil connecté envoie quatre demandes ARP pour l'adresse IP de la passerelle EGX. La passerelle EGX envoie des demandes ARP toutes les 15 secondes jusqu'à ce que l'adresse IP soit à nouveau disponible. Lorsque l'adresse est disponible, la passerelle EGX l'utilise.	Quatre clignotements, pause

Port série

Action	Résultat
1. À la page Configuration, cliquez sur Port série .	Ouvre la page Port série.
2. Sélectionnez le mode, l'interface physique, le mode et la vitesse de transmission, la parité et la temporisation (voir Tableau 4, page 5).	Sélectionne les options de port série.
3. Si vous sélectionnez le mode Esclave, saisissez les adresses IP des appareils connectés à distance (voir Tableau 4, page 5).	Configure les adresses IP des appareils distants.
4. Cliquez sur Appliquer .	Met à jour les paramètres du port série de la passerelle EGX.

Figure 3 : Page Port série

Port série

Mode	Maître	▼
Interface physique:	RS485 2 fils	▼
Mode de transmission:	Automatique	▼
Vitesse de transmission:	38400	▼
Parité:	Paire	▼
Délai d'attente de réponse:	3	▼ (secondes)

Tableau 4 : Paramètres de port série

Option	Description	Valeur
Mode	Permet de sélectionner l'utilisation du port COM de la passerelle EGX (maître ou esclave). <i>REMARQUE : Lorsque le Mode est modifié, la passerelle EGX redémarre.</i>	Maître, Esclave Par défaut : Maître
Interface physique	Permet de sélectionner le câblage physique du port série de la passerelle EGX.	RS-485 4 fils, RS-485 2 fils ou RS-232 Par défaut : RS-485 2 fils
Mode de transmission	Permet de déterminer comment les données sont transmises à travers une connexion série.	Mode Maître : Automatique, Modbus ASCII Mode Esclave : Modbus RTU, Modbus ASCII Par défaut : <ul style="list-style-type: none"> • Mode Maître : Automatique • Mode Esclave : Modbus RTU <i>REMARQUE : Le mode automatique permet simultanément de communiquer avec les appareils esclaves Modbus RTU, PowerLogic™ (SY/MAX) et Jbus sur la même guirlande.</i>
Vitesse de transmission	Permet de sélectionner la vitesse de transmission à travers une connexion série.	2400, 4800, 9600, 19200, 38400, 56000*, 57600* Par défaut : 19200
Parité	Spécifie si la précision des données est vérifiée au moyen d'un bit de parité.	Paire, Impaire, Aucune Par défaut : Paire
Délai d'attente de réponse	Permet de sélectionner le temps pendant lequel la passerelle EGX attend une réponse d'un appareil série.	0,1-10 secondes Par défaut : 3 secondes
Connexions Modbus TCP/IP à distance (mode Esclave uniquement)	Définit une liste d'adresses Modbus TCP/IP que la passerelle EGX utilisera pendant les communications en mode Esclave.	—
* Disponible uniquement si l'interface physique et le mode de transmission sont RS-232/Modbus ASCII.		

Liste des appareils

Avant de commencer, tenez compte des points suivants :

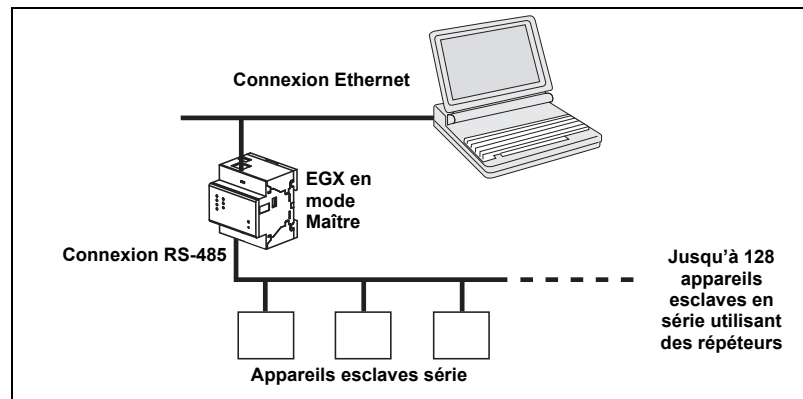
Pour l'utilisation du port COM en mode Maître :

- Il n'est pas obligatoire de définir les appareils RTU/Jbus dans la liste des appareils, mais cela peut faciliter la gestion du système.
- Les appareils à protocole PowerLogic™ (SY/MAX) doivent être définis dans la liste des appareils.

REMARQUE : N'utilisez pas les adresses esclaves en série 1 à 16 en mode de transmission automatique sur une guirlande utilisant plusieurs protocoles (ex. une guirlande qui comporte des appareils utilisant le protocole PowerLogic™ et d'autres utilisant le protocole Modbus/Jbus).

Configuration de la liste des appareils en mode Maître

Figure 4 : Topologie du mode Maître



Si vous avez sélectionné le mode Maître à la page Port série, procédez comme suit pour configurer la liste des appareils :

Action	Résultat
1. À la page Configuration, cliquez sur Liste des appareils .	Ouvre la page Liste des appareils.
2. Sélectionnez le nombre d'appareils qu'il est possible d'afficher (1 à 128) et cliquez sur Appliquer .	Sélectionne le nombre d'emplacements affichables qui peuvent servir à définir des appareils esclaves en série connectés à la passerelle EGX.
3. Dans la zone de texte Identification locale , tapez l'identification locale (adresse) de l'appareil esclave en série.	Configure l'adresse locale de l'appareil.
4. Sélectionnez le Protocole .	Sélectionne le protocole de l'appareil connecté.
5. Recommencez les étapes 3 et 4 jusqu'à ce que tous les appareils soient configurés.	Saisit tous les appareils connectés.
6. Cliquez sur Appliquer .	Actualise la liste des appareils.

Figure 5 : Page Liste des appareils en mode Maître

Liste des appareils

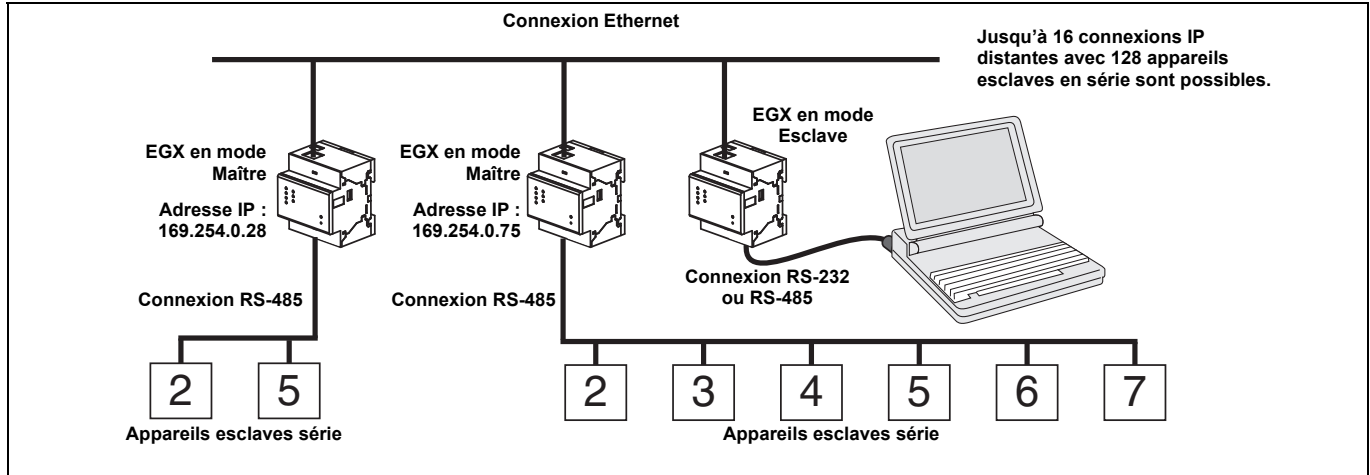
Nombre d'appareils à afficher:

Protocole	Identification locale
Modbus	1
PowerLogic	2
Modbus	4
Modbus	7
Modbus	212
Modbus	
Modbus	
Modbus	

Configuration de la liste des appareils en mode Esclave

Le mode Esclave en série permet aux appareils Modbus maîtres en série d'accéder aux informations des appareils esclaves en série à travers un réseau TCP/IP. La Figure 6 illustre la connexion des appareils en utilisant les paramètres de la liste des appareils de la Figure 7.

Figure 6 : Topologie du mode Esclave



Si vous avez sélectionné le mode Esclave à la page Port série, procédez comme suit pour configurer la liste des appareils :

Action	Résultat
1. À la page Configuration, cliquez sur Liste des appareils .	Ouvre la page Liste des appareils.
2. Sélectionnez le nombre d'appareils qu'il est possible d'afficher (1 à 128) et cliquez sur Appliquer .	Sélectionne le nombre d'emplacements qu'il est possible d'afficher utilisables pour définir des appareils Modbus TCP/IP distants.
3. Sélectionnez la Connexion .	Sélectionne l'adresse Modbus TCP/IP à associer à l'identification distante.
4. Dans la zone de texte Identification locale , tapez l'identification locale (adresse) de l'appareil esclave en série.	Saisit l'adresse de l'appareil que l'appareil Modbus maître utilisera pour accéder à l'appareil distant.
5. Dans la zone de texte Identification distante , tapez l'identification distante (adresse) de l'appareil esclave en série.	Saisit l'adresse esclave en série de l'appareil connecté à distance.
6. Recommencez les étapes 3 à 5 jusqu'à ce que tous les appareils soient configurés.	Saisit les informations de correspondance de façon que la passerelle EGX communique avec les appareils distants.
7. Cliquez sur Appliquer .	Actualise la liste des appareils.

Figure 7 : Page Liste des appareils en mode Esclave

Liste des appareils

Nombre d'appareils à afficher:

Connexion	Identification locale	Identification distante
157.198.184.86	1	2
157.198.184.82	2	5
157.198.184.82	4	2
Port série	7	
157.198.184.82	6	4
Port série		
Port série		
Port série		

Comptes utilisateur

Les utilisateurs de la passerelle EGX reçoivent un nom d'utilisateur et un mot de passe. Chaque utilisateur appartient à un groupe et chaque groupe a des droits d'accès aux pages Web EGX qui lui sont attribués par l'administrateur EGX.

REMARQUE : Il existe par défaut deux comptes utilisateur : *Administrator (Administrateur)* (mot de passe : *Gateway*) et *Guest (Invité)* (mot de passe : *Guest*).

Action	Résultat
1. À la page Configuration, cliquez sur Comptes utilisateur .	Ouvre la page Comptes utilisateur.
2. Si vous voulez modifier le nom d'un groupe, tapez le nouveau nom dans l'une des zones de texte de la zone Groupes (vous ne pouvez pas modifier le nom du groupe Administrator).	Entrez le nom du nouveau groupe.
3. Dans la zone Utilisateurs, saisissez le nom (1 à 24 caractères) et le mot de passe (0 à 12 caractères) du nouvel utilisateur. <i>REMARQUE : Les noms et les mots de passe des utilisateurs distinguent les majuscules et les minuscules ; ils peuvent contenir uniquement des caractères alphanumériques.</i>	Définit le nom et le mot de passe d'un utilisateur.
4. Sélectionnez le groupe ainsi que la langue par défaut du nouvel utilisateur.	Sélectionne le nom et la langue de l'utilisateur.
5. Recommencez les opérations 3 et 4 pour chaque utilisateur que vous voulez ajouter.	Ajoute d'autres utilisateurs.
6. Cliquez sur Appliquer .	Enregistre tous les paramètres d'un compte utilisateur.

Tableau 5 : Comptes et mots de passe EGX

Compte	Mot de passe par défaut
Administrator	Gateway
Guest	Guest
Comptes personnalisés (jusqu'à 11 comptes)	Aucune valeur par défaut – Le mot de passe personnalisé est défini par l'utilisateur.

Figure 8 : Page Comptes utilisateur

Accès aux pages Web

Action	Résultat
1. À la page Configuration, cliquez sur Accès aux pages Web .	Ouvre la page Accès aux pages Web.
2. Dans la ligne Ethernet et TCP/IP , sélectionnez le niveau d'accès (Aucun, Lecture seule ou Complet) de chaque utilisateur de la page Web Ethernet et TCP/IP.	Voir le Tableau 6 pour une explication des niveaux d'accès de chaque groupe.

Action	Résultat
3. Pour autoriser le compte Guest à accéder à la page Web, sélectionnez Lecture seule sous la colonne Guest . <i>REMARQUE : Si le groupe Guest est en lecture seule, les autres groupes peuvent être configurés uniquement en Lecture seule ou en accès Complet.</i>	Permet au groupe par défaut Guest d'accéder à la page Web.
4. Recommencez les étapes 2 et 3 pour les lignes Port série, Liste des appareils, Statistiques et Lecture de registres d'appareils.	Sélectionne le niveau d'accès à chaque page Web.
5. Cliquez sur Appliquer .	Enregistre la configuration des mots de passe.

Tableau 6 : Accès des groupes

Groupe	Accès
Administrator	Accès complet à toutes les pages Web. <i>REMARQUE : Il est recommandé de changer le mot de passe par défaut du compte Administrateur lors de la première connexion.</i>
Guest	Accès en lecture seule aux pages Web sélectionnées.
Trois groupes personnalisés définis par l'utilisateur	En choisissant parmi les options ci-dessous, l'administrateur attribue des niveaux d'accès aux pages Web pour chaque groupe. Les niveaux d'accès sont les suivants : <ul style="list-style-type: none"> • Aucun : Le groupe ne peut pas accéder à la page Web sélectionnée. • Lecture seule : Le mot de passe autorise l'accès en lecture seule du groupe à la page Web sélectionnée. • Complet : Le groupe a le même droit d'accès que le groupe Administrator à la page Web sélectionnée.

Figure 9 : Page Accès aux pages Web

Accès aux pages Web

	Engineering	Operations	Maintenance	Guest
Ethernet et TCP/IP	Lecture seule ▼	Lecture seule ▼	Lecture seule ▼	Aucune ▼
Port série	Lecture seule ▼	Lecture seule ▼	Lecture seule ▼	Aucune ▼
Liste des appareils	Lecture seule ▼	Lecture seule ▼	Lecture seule ▼	Aucune ▼
Statistiques	Lecture seule ▼	Lecture seule ▼	Lecture seule ▼	Aucune ▼
Lecture de registres d'appareils	Lecture seule ▼	Lecture seule ▼	Lecture seule ▼	Aucune ▼

Filtrage Modbus TCP/IP

Cette fonction permet à l'administrateur de spécifier les appareils clients Modbus TCP/IP qui ont accès ou non aux appareils esclaves en série connectés à la passerelle EGX.

*REMARQUE : Il existe une adresse anonyme Modbus TCP/IP (***.***.***.**) qu'il est possible de configurer en lecture seule ou sans droit d'accès. La configuration en **Lecture seule** permet à n'importe quel client Modbus TCP/IP ne figurant pas dans la liste filtrée d'accéder en lecture seule aux appareils série esclave. La configuration sans droit d'accès (**Aucun**) bloque tous les clients Modbus TCP/IP qui ne figurent pas dans la liste filtrée.*

Action	Résultat
1. À la page Configuration, cliquez sur Filtrage Modbus TCP/IP .	Ouvre la page Filtrage Modbus TCP/IP.
2. Sélectionnez l'option Activer le filtrage .	Active le filtrage.
3. Dans la colonne Adresse IP , saisissez l'adresse client Modbus TCP/IP.	Saisit l'adresse IP d'un client Modbus TCP/IP qui accèdera aux appareils série connectés à la passerelle EGX.
4. Dans la colonne Niveau d'accès , sélectionnez Lecture seule ou Complet.	Sélectionne le niveau d'accès pour chaque adresse IP correspondante. En Lecture seule, seuls les codes de fonctions Modbus TCP/IP suivants sont autorisés : Décimal : 1, 2, 3, 4, 7, 8, 11, 12, 17, 20, 24, 43, 100 Hexadécimal : 01, 02, 03, 04, 07, 08, 0B, 0C, 11, 14, 18, 2B, 64
5. Recommencez les étapes 3 et 4 pour ajouter d'autres adresses IP.	Ajoute d'autres adresses IP à filtrer.
6. Cliquez sur Appliquer .	Enregistre la liste de filtrage des adresses Modbus TCP/IP.

Figure 10 : Page Filtrage Modbus TCP/IP

Filtrage Modbus TCP/IP

Activer le filtrage:

Adresse IP				Niveau d'accès
***	***	***	***	
169	254	0	3	Complet
				Lecture seule
				Lecture seule
				Lecture seule
				Lecture seule
				Lecture seule
				Lecture seule
				Lecture seule
				Lecture seule
				Lecture seule
				Lecture seule
				Lecture seule

Paramètres SNMP

L'administrateur réseau peut utiliser un gestionnaire SNMP pour accéder à distance à la passerelle EGX et consulter l'état et les diagnostics réseau au format MIB2.

Action	Résultat
1. À la page Configuration, cliquez sur Paramètres SNMP .	Ouvre la page Paramètres SNMP.
2. Sélectionnez l'option Activer SNMP pour activer le protocole SNMP. <i>REMARQUE : Si vous ne cochez pas cette case et cliquez sur Appliquer, la passerelle EGX redémarre et la fonctionnalité SNMP est désactivée.</i>	Active le protocole SNMP.
3. Saisissez le contact système, le nom et l'emplacement du système, le nom de la communauté en lecture seule et le nom de la communauté en lecture/écriture.	Saisit les informations SNMP du système et les noms d'accès des communautés.
4. Cliquez sur Appliquer .	Enregistre la configuration SNMP.

Figure 11 : Page Paramètres SNMP

Paramètres SNMP

Activer SNMP:

Contact système:

Nom système:

Emplacement système:

Nom de communauté lecture seule:

Nom de communauté lecture/écriture:

Point d'accès système

La fonction Point d'accès système permet à la passerelle EGX100 de multidiffuser sa présence à toutes les passerelles EGX300 connectées au réseau. Cette fonction est activée par défaut et ne nécessite pas d'autre configuration.

Utilisez l'écran de configuration de la Figure 12, page 11 pour saisir l'adresse IP de groupe et d'autres informations connexes.

Action	Résultat
1. Dans le menu Configuration, cliquez sur Point d'accès système .	Affiche la fenêtre Point d'accès système.
2. Spécifiez les paramètres Port UDP, Adresse IP de groupe, Intervalle Hello, Temps de retenue, Durée de vie pour multidiffusion et Communauté. Consultez le Tableau 7 pour la description de ces paramètres.	Sélectionne les paramètres Point d'accès système.
3. Cliquez sur Appliquer . <i>REMARQUE : Pour rétablir les paramètres par défaut, cliquez sur Valeurs par défaut, puis sur Appliquer.</i>	Applique les paramètres à la passerelle EGX100.

Tableau 7 : Paramètres Point d'accès système

Option	Description	Valeur
Activé	Lorsque cette option est activée, les passerelles EGX300 peuvent détecter les passerelles EGX100 qui utilisent la même adresse IP de groupe.	Activé, désactivé Par défaut : Activé
Port UDP	Permet de définir le numéro du port UDP utilisé pour la détection par le Point d'accès système.	1 à 65535 Par défaut : 59
Adresse IP de groupe	Vous pouvez entrer dans ce champ une adresse pour multidiffusion ou monodiffusion.	Par défaut : 224.0.1.2
Intervalle Hello	Intervalle entre deux messages « Hello » envoyés par cette passerelle EGX100 pour annoncer sa présence aux autres appareils Schneider Electric détectés par le Point d'accès système sur le réseau.	1 à 65534 secondes Par défaut : 300 secondes
Temps de retenue	Délai d'attente maximum après le dernier message Hello envoyé par cette EGX100 avant que les autres appareils ne la considèrent comme indisponible.	2 à 65535 secondes Par défaut : 600 secondes
Durée de vie pour multidiffusion	Permet de spécifier la portion du réseau sur laquelle portera la détection des autres appareils. Cette valeur est déterminée par le nombre de fois que la multidiffusion peut être réexpédiée aux autres appareils.	1 à 255 sauts de routeur Par défaut : 1
Communauté	Les appareils d'un groupe peuvent être répartis en communautés. Les passerelles EGX300 peuvent détecter les passerelles EGX100 qui utilisent la même adresse IP de groupe et le même numéro de communauté. Si vous réglez le numéro de communauté sur 0, la passerelle pourra détecter toutes les autres passerelles EGX100 ayant la même adresse IP, quel que soit le paramètre de communauté.	0 à 65535 Par défaut : 0

Figure 12 : Point d'accès système

Point d'accès système

Activé:

Port UDP: (1--65535)

Adresse IP de groupe: . . .

Intervalle Hello: (1--65534 Secondes)

Temps de retenue: (2--65535 Secondes)

Durée de vie pour multidiffusion: (1--255 Sauts)

Communauté: (0--65535)

Diagnostics

Pour accéder aux liens de la page Web Diagnostics, cliquez sur **Diagnostics** dans la barre de menus EGX.

Statistiques

Action	Résultat
1. À la page Diagnostics, cliquez sur Statistiques .	Ouvre la page Statistiques (voir Figure 13). <i>REMARQUE : La page Statistiques affiche des données basées sur le mode sélectionné dans « Port série », page 5.</i>
2. Affichez les données.	Voir « Interprétation des statistiques », page 13.
3. Cliquez sur Réinitialiser .	Remet à zéro les données de diagnostic de la passerelle EGX.

REMARQUE : Cette page affiche les mesures accumulées depuis la dernière activation de la passerelle EGX. En cas de perte de l'alimentation de la passerelle, toutes les valeurs cumulées se remettent à zéro.

Figure 13 : Page Statistiques

Lecture avec un port série en MODE MAÎTRE	Lecture avec un port série en MODE ESCLAVE
Statistiques	Statistiques
Ethernet	Ethernet
Etat de liaison : 10BaseT-HD	Etat de liaison : 10BaseT-HD
Trames transmises avec succès : 225	Trames transmises avec succès : 225
Collisions : 0	Collisions : 0
Excès de collisions : 0	Excès de collisions : 0
Trames reçues avec succès : 60617	Trames reçues avec succès : 60617
Erreurs CRC : 0	Erreurs CRC : 0
Erreurs d'alignement : 0	Erreurs d'alignement : 0
Longueur de trame excessive : 0	Longueur de trame excessive : 0
Longueur de trame insuffisante : 0	Longueur de trame insuffisante : 0
Modbus TCP/IP	Modbus TCP/IP
Trames envoyées : 0	Trames envoyées : 0
Trames reçues : 0	Trames reçues : 0
Erreurs de protocole : 0	Erreurs de protocole : 0
Connexions actives : 0	Messages de lecture en partance : 0
Connexions cumulées : 0	Messages d'écriture en partance : 0
Nombre maximal de connexions : 0	Messages de réponse en arrivée : 0
Messages de lecture en arrivée : 0	
Messages d'écriture en partance : 0	Port série
Messages de réponse en partance : 0	Trames envoyées : 0
	Trames reçues : 0
Port série	Erreurs CRC : 0
Trames envoyées : 0	Erreurs de protocole : 0
Trames reçues : 0	Messages de lecture en arrivée : 222357
Erreurs CRC : 0	Messages d'écriture en arrivée : 0
Erreurs de protocole : 0	Informations sur la passerelle
Délais d'attente : 0	Version de logiciel embarqué : 3.000
Messages de lecture en partance : 0	Délai d'inactivité du système : 40%
Messages d'écriture en partance : 0	Adresse MAC : 00:80:67:80:35:5A
Informations sur la passerelle	Numéro de série : 33000001
Version de logiciel embarqué : 3.000	Numéro de modèle : EGX100MG
Délai d'inactivité du système : 40%	Version de matériel : A1
Adresse MAC : 00:80:67:80:35:5A	Date de fabrication : 2005-Jan-01
Numéro de série : 33000001	
Numéro de modèle : EGX100MG	<input type="button" value="Réinitialiser"/>
Version de matériel : A1	
Date de fabrication : 2005-Jan-01	
<input type="button" value="Réinitialiser"/>	

Interprétation des statistiques

Statistiques	Description
Ethernet	
État de liaison	Chaîne de caractères qui représente la vitesse de transmission et le paramètre duplex utilisés pour communiquer avec un autre appareil.
Trames transmises avec succès	Compteur qui augmente d'une unité chaque fois qu'une trame est envoyée sans problème.
Collisions	Compteur qui augmente d'une unité chaque fois qu'une trame est retransmise à cause de la détection d'une collision.
Excès de collisions	Compteur qui augmente d'une unité chaque fois qu'il est impossible d'envoyer une trame, car le nombre maximal de collisions basé sur l'algorithme de repli exponentiel binaire par troncature est atteint.
Trames reçues avec succès	Compteur qui augmente d'une unité chaque fois qu'une trame est reçue sans problème.
Erreurs CRC	Compteur qui augmente d'une unité à chaque réception d'une trame dont la somme de contrôle/CRC (contrôle par redondance cyclique) ne correspond pas à la valeur calculée.
Erreurs d'alignement	Compteur qui augmente d'une unité à chaque réception d'une trame dont la somme de contrôle/CRC (contrôle par redondance cyclique) est erronée et qui ne se termine pas sur une limite sur 8 bits.
Longueur de trame excessive	Compteur qui augmente d'une unité à chaque réception d'une trame supérieure à la taille maximale autorisée définie dans les normes (trames supérieures à 1518 octets).
Longueur de trame insuffisante	Compteur qui augmente d'une unité à chaque réception d'une trame inférieure à la taille minimale autorisée définie dans les normes (trames inférieures à 64 octets).
Modbus TCP/IP	
Trames envoyées	Compteur qui augmente d'une unité à chaque envoi d'une trame.
Trames reçues	Compteur qui augmente d'une unité à chaque réception d'une trame.
Erreurs de protocole	Compteur qui augmente d'une unité à chaque réception d'un message de format incorrect.
Connexions actives ¹	Valeur qui indique le nombre de connexions actives lors de la mise à jour de la page de diagnostics. Prise en charge de 32 connexions maximum. Cliquez sur Connexions actives pour ouvrir une nouvelle fenêtre qui affiche la liste de toutes les connexions client actives.
Connexions cumulées ¹	Compteur qui augmente d'une unité à chaque connexion établie avec la passerelle EGX.
Nombre maximal de connexions ¹	Valeur qui indique le nombre maximal de connexions qui étaient actives à un instant donné.
Messages de lecture en arrivée ¹	Compteur qui augmente d'une unité à chaque réception d'un message de demande de lecture.
Messages de lecture en partance ²	Compteur qui augmente d'une unité à chaque envoi d'un message de demande de lecture.
Messages d'écriture en arrivée ¹	Compteur qui augmente d'une unité à chaque réception d'un message de demande d'écriture.
Messages d'écriture en partance ²	Compteur qui augmente d'une unité à chaque envoi d'un message de demande d'écriture.
Messages de réponse en arrivée ²	Compteur qui augmente d'une unité à chaque réception d'un message de réponse.
Messages de réponse en partance ¹	Compteur qui augmente d'une unité à chaque envoi d'un message de réponse.
Port série	
Trames envoyées	Compteur qui augmente d'une unité à chaque envoi d'une trame.
Trames reçues	Compteur qui augmente d'une unité à chaque réception d'une trame.
Erreurs CRC	Compteur qui augmente d'une unité à chaque réception d'un message dont le contrôle par redondance cyclique (CRC) ne correspond pas à la valeur calculée. Indique généralement des problèmes de câblage.
Erreurs de protocole	Compteur qui augmente d'une unité à chaque réception d'un message de format incorrect.

¹ Disponible lorsque le port série fonctionne en mode Maître.² Disponible lorsque le port série fonctionne en mode Esclave.

Statistiques	Description
Délais d'attente	Compteur qui augmente d'une unité à chaque fois qu'un message ne reçoit aucune réponse dans le temps imparti. Il s'agit en général de la conséquence d'erreurs de configuration ou d'un appareil défaillant.
Messages de lecture en arrivée ²	Compteur qui augmente d'une unité à chaque réception d'un message de demande de lecture.
Messages de lecture en partance ¹	Compteur qui augmente d'une unité à chaque envoi d'un message de demande de lecture.
Messages d'écriture en arrivée ²	Compteur qui augmente d'une unité à chaque réception d'un message de demande d'écriture.
Messages d'écriture en partance ¹	Compteur qui augmente d'une unité à chaque envoi d'un message de demande d'écriture.
Informations sur la passerelle	
Version du logiciel embarqué	Version du logiciel embarqué installé sur la passerelle EGX.
Délai d'inactivité du système	Période moyenne d'inactivité du processeur exprimée en pourcentage (0 à 100 %).
Adresse MAC	Adresse matérielle Ethernet d'une passerelle EGX.
Numéro de série	Numéro de série de la passerelle EGX.
Numéro de modèle	Numéro du modèle de la passerelle EGX (100).
Version de matériel	Version matérielle de la passerelle EGX.
Date de fabrication	Date de fabrication de la passerelle EGX.

¹ Disponible lorsque le port série fonctionne en mode Maître.

² Disponible lorsque le port série fonctionne en mode Esclave.

Lecture de registres d'appareils

Action	Résultat
1. À la page Diagnostics, cliquez sur Lecture de registres d'appareils .	Ouvre la page Lecture de registres d'appareils.
2. Saisissez l'identificateur de l'appareil (ID), le numéro du registre de départ et le nombre de registres à lire.	Saisit les valeurs de début de lecture des registres de l'appareil spécifié.
3. Sélectionnez un type de données.	Sélectionne le type de données à afficher.
4. Pour modifier l'affichage des données dans la colonne Valeur, sélectionnez Décimal , Hexadécimal , Binaire ou ASCII .	Sélectionne le mode d'affichage des valeurs.
5. Cliquez sur Lecture .	Affiche les données requises.

Tableau 8 : Paramètres de lecture de registres d'appareils EGX

Option	Description	Valeur par défaut
Identification de l'appareil	Adresse de l'appareil dans lequel les registres sont lus.	1
Registre de départ	Premier registre à lire.	1000
Nombre de registres	Nombre de registres à lire (1 à 10).	10
Colonne Registre	Liste des numéros de registres.	—
Colonne Valeur	Liste des données enregistrées dans un registre. Les valeurs récupérées dépendent de l'appareil connecté à la passerelle EGX. Reportez-vous à la documentation de l'appareil connecté pour plus d'informations sur les valeurs stockées dans un registre.	—
Type de données	Permet de sélectionner les registres de maintien, les registres d'entrée, les bobines de sortie, les bobines d'entrée ou l'identification d'appareil pour spécifier les valeurs récupérées.	Registres de maintien
Options Décimal, Hexadécimal, Binaire ou ASCII	Sélection d'une option pour spécifier l'affichage des données de la colonne Valeur.	Décimal

Figure 14 : Page Lecture de registres d'appareils

Lecture de registres d'appareils

Identification de l'appareil: Registre de départ: Nombre de registres:

Registre	Valeur	Type de données:
1000	0	<input type="checkbox"/> Registres de maintien <input checked="" type="radio"/> Décimal <input type="radio"/> Hexadécimal <input type="radio"/> Binaire <input type="radio"/> ASCII
1001	0	
1002	0	
1003	0	
1004	0	
1005	0	
1006	0	
1007	0	
1008	0	
1009	0	
Lecture		

Logiciel embarqué (firmware)

Vous pouvez mettre à niveau le logiciel embarqué (firmware) de la passerelle EGX au moyen du protocole FTP (File Transfer Protocol). Rendez-vous sur le site www.powerlogic.com ou consultez votre représentant local pour obtenir la dernière mise à jour du logiciel embarqué.

Recherche de la version du logiciel embarqué

Action	Résultat
1. Connectez-vous à la passerelle EGX.	Ouvre la page d'accueil EGX.
2. Recherchez la version du logiciel embarqué en bas à gauche de la page. <i>REMARQUE : Si vous avez récemment mis à jour le logiciel embarqué, appuyez sur la touche F5 pour actualiser la page et afficher le nouveau numéro de version.</i>	Détermine la version du logiciel embarqué de la passerelle EGX.
3. Vous pouvez également sélectionner Diagnostics > Statistiques pour rechercher la version du logiciel embarqué dans la section Informations sur la passerelle.	Détermine également la version du logiciel embarqué de la passerelle EGX.

Obtention du dernier logiciel embarqué

Action	Résultat
1. Lancez Internet Explorer. Dans la zone Adresse , tapez www.powerlogic.com , puis appuyez sur Entrée.	Ouvre le site Web de PowerLogic.
2. Sélectionnez votre pays, puis cliquez sur Go (atteindre). <i>REMARQUE : Si vous sélectionnez les États-Unis, allez à l'étape 3. Dans le cas contraire, suivez les étapes spécifiques à chaque pays pour obtenir le logiciel embarqué de la passerelle EGX.</i>	Affiche le site PowerLogic de votre pays.
3. Cliquez sur Firmware Downloads (téléchargements du logiciel embarqué) > Products (produits) > PowerLogic Communications > EGX100 .	Affiche les téléchargements EGX100 disponibles.

Action	Résultat
4. Cliquez sur le lien EGX100 Firmware (logiciel embarqué EGX100).	Ouvre la page d'instructions pour le logiciel embarqué de la passerelle EGX100.
5. Cliquez sur l' onglet Files (fichiers), puis sur le lien vers le fichier du logiciel embarqué (eg#####.bin, où ##### correspond au numéro de logiciel embarqué). <i>REMARQUE : Vous devez vous identifier pour télécharger des fichiers de logiciel embarqué. Si vous n'avez pas encore de nom d'utilisateur et de mot de passe, suivez les instructions fournies sur le site.</i>	Affiche les noms de fichier, puis ouvre la boîte de dialogue de téléchargement de fichier.
6. Cliquez sur Enregistrer .	Enregistre le fichier de logiciel embarqué.

Mise à jour du logiciel embarqué

Action	Résultat
1. Lancez Internet Explorer, tapez <i>ftp://</i> et l'adresse IP de la passerelle EGX dans la barre d'adresse (ex. : <i>ftp://169.254.0.10</i>), puis appuyez sur Entrée.	Ouvre la boîte de dialogue Ouvrir une session en tant que .
2. Tapez le nom d'utilisateur <i>Administrator</i> et le mot de passe correspondant dans les zones de texte appropriées, puis cliquez sur Connexion .	Ouvre une session FTP avec la passerelle EGX.
3. Localisez le fichier du logiciel embarqué sur votre ordinateur, cliquez avec le bouton droit sur le fichier, puis cliquez sur Copier .	Copie le fichier dans le Presse-papiers.
4. Cliquez avec le bouton droit de la souris dans la fenêtre Internet Explorer, puis cliquez sur Coller . <i>REMARQUE : Au lieu de copier/coller le fichier du logiciel embarqué, vous pouvez le faire glisser dans Internet Explorer.</i>	Copie le logiciel embarqué dans la passerelle EGX, qui redémarre.
5. Cliquez sur Fermer dans la fenêtre Internet Explorer.	Ferme Internet Explorer et met fin à la connexion FTP avec la passerelle EGX.
6. Pour vérifier que la mise à jour a réussi, suivez la procédure décrite à la section « Recherche de la version du logiciel embarqué », page 15.	Vérifie la mise à jour du logiciel embarqué.

Index

A

- accès à la passerelle EGX via un réseau 2
- accès aux pages Web
 - configuration 8

C

- comptes utilisateurs
 - configuration 8
- configuration de la liste des appareils en mode Esclave 7
- configuration de la liste des appareils en mode Maître 6
- connexion à la passerelle EGX 2

D

- déconnexion 2
- détection des adresses IP identiques 4
- diagnostics 12

E

- EGX
 - configuration 3
 - connexion 2
 - interface utilisateur 3

F

- filtrage Modbus TCP/IP
 - configuration 9

I

- interface utilisateur 3
- introduction 1

L

- liste des appareils
 - configuration 6
 - mode Esclave 7
 - mode Maître 6
- logiciel embarqué (firmware) 15
 - mise à jour 15
 - obtention de la dernière version 15
 - recherche de la version 15

M

- matériel 1

P

- paramètres Ethernet et TCP/IP 3
- paramètres SNMP
 - configuration 10
- point d'accès système
 - configuration 11
- port série
 - configuration 5
- protocoles Ethernet 1
 - pris en charge 1

R

- registres d'appareils 14
 - lecture 14
- réseau
 - accès via 2
- ressources supplémentaires 2

S

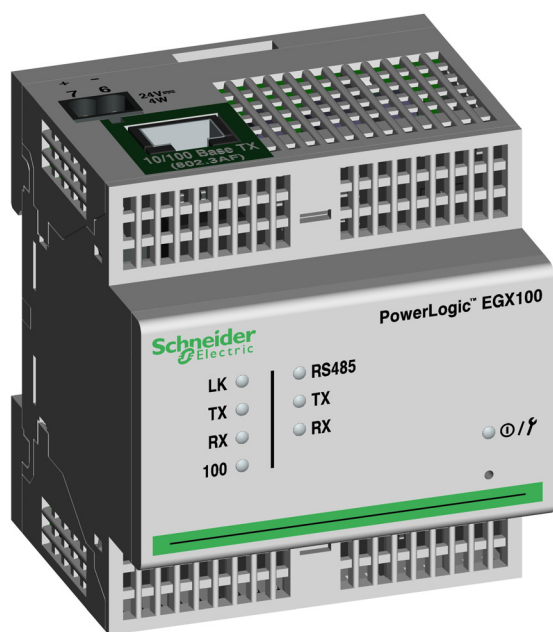
- statistiques 12
 - interprétation 13

PowerLogic est une marque commerciale de Schneider Electric en France, aux États-Unis et dans d'autres pays. Les autres marques de commerce sont la propriété de leurs détenteurs respectifs.

PowerLogic™ Ethernet Gateway EGX100

Benutzerhandbuch

63230-319-204B1
08/2012



Sicherheitshinweise

Wichtige Informationen

Lesen Sie die Anweisungen sorgfältig durch und sehen Sie sich die Ausrüstung genau an, um sich mit dem Gerät vor der Installation, dem Betrieb oder der Wartung vertraut zu machen. In dieser Publikation oder auf dem Gerät können sich folgende Hinweise befinden, die vor potenziellen Gefahren warnen oder die Aufmerksamkeit auf Informationen lenken, die ein Verfahren erklären oder vereinfachen.



Der Zusatz eines der beiden Symbole zu den Sicherheitshinweisen „Gefahr“ oder „Warnung“ deutet auf eine elektrische Gefahr hin, die zu schweren Verletzungen führen kann, wenn die Anweisungen nicht befolgt werden.



Dieses Symbol steht für eine Sicherheitswarnung. Es macht auf die potenzielle Gefahr eines Personenschadens aufmerksam. Beachten Sie alle Sicherheitshinweise mit diesem Symbol, um schwere oder tödliche Verletzungen zu vermeiden.

GEFAHR

GEFAHR weist auf eine unmittelbar gefährliche Situation hin, die bei Nichtbeachtung zu schweren bzw. tödlichen Verletzungen **führt**.

WARNUNG

WARNUNG weist auf eine potenziell gefährliche Situation hin, die bei Nichtbeachtung zu schweren bzw. tödlichen Verletzungen **führen kann**.

ACHTUNG

ACHTUNG weist auf eine potenziell gefährliche Situation hin, die bei Nichtbeachtung zu leichten Verletzungen **führen kann**.

HINWEIS

HINWEIS bezieht sich auf Vorgehensweisen, die keine Verletzungen verursachen können. Daher wird das Symbol für Sicherheitswarnungen nicht zusammen mit diesem Signalwort verwendet.

Bitte beachten

Elektrisches Gerät sollte stets von qualifiziertem Personal installiert, betrieben und gewartet werden. Schneider Electric übernimmt keine Verantwortung für jegliche Konsequenzen, die sich aus der Verwendung dieser Publikation ergeben können.

Eine qualifizierte Person verfügt über entsprechende Fähigkeiten und Wissen in Bezug auf Aufbau, Installation und Betrieb elektrischer Geräte und hat eine Sicherheitsschulung zur Erkennung und Vermeidung der damit verbundenen Gefahren absolviert.

Hinweise

Hinweis zum Teil 15 der FCC-Bestimmungen

Dieses Gerät wurde getestet und erfüllt die Anforderungen für digitale Geräte der Klasse A gemäß Teil 15 der FCC-Bestimmungen. Diese Bestimmungen sollen bei der gewerblichen Nutzung des Geräts einen angemessenen Schutz gegen schädliche Funkstörungen sicherstellen. Dieses Gerät erzeugt und nutzt Energie im Funkfrequenzspektrum und kann solche auch abstrahlen. Wird es nicht der Anleitung entsprechend installiert, kann es schädliche Funkstörungen verursachen. Die Verwendung dieses Geräts in einem Wohngebiet kann schädliche Funkstörungen verursachen. In diesem Fall ist der Benutzer dafür verantwortlich, die Störungen auf eigene Kosten zu beseitigen. Dieses digitale Gerät der Klasse A erfüllt die Anforderungen der kanadischen Norm ICES-003 (Interference-Causing Equipment Standard).

Inhaltsverzeichnis

Einführung	1
Unterstützte Ethernet-Protokolle	1
Hardware	1
Zusätzliche Ressourcen	2
Zugang zum EGX über ein Netzwerk	2
Anmelden beim EGX	2
Abmeldung	2
EGX-Benutzeroberfläche – Überblick	3
Setup	3
Ethernet- und TCP/IP-Einstellungen	3
Erkennung identischer IP-Adressen	4
Serielle Schnittstelle	5
Geräteliste	6
Geräteliste für Master-Modus einrichten	6
Geräteliste für Slave-Modus einrichten	7
Benutzerkonten	8
Webseitenzugriff	8
Modbus-TCP/IP-Filter	9
SNMP-Parameter	10
Systemzugangspunkt	11
Diagnose	12
Statistik	12
Statistik auswerten	13
Geräteregister lesen	14
Firmware	15
Firmwareversion feststellen	15
Neue Firmware herunterladen	15
Firmwaredatei aktualisieren	16
Index	17

Einführung

Dieses Handbuch ist mit einem PowerLogic™ EGX100 mit Firmwareversion 3.0 oder höher zu benutzen. Informationen zur Installation enthält das Installationshandbuch.

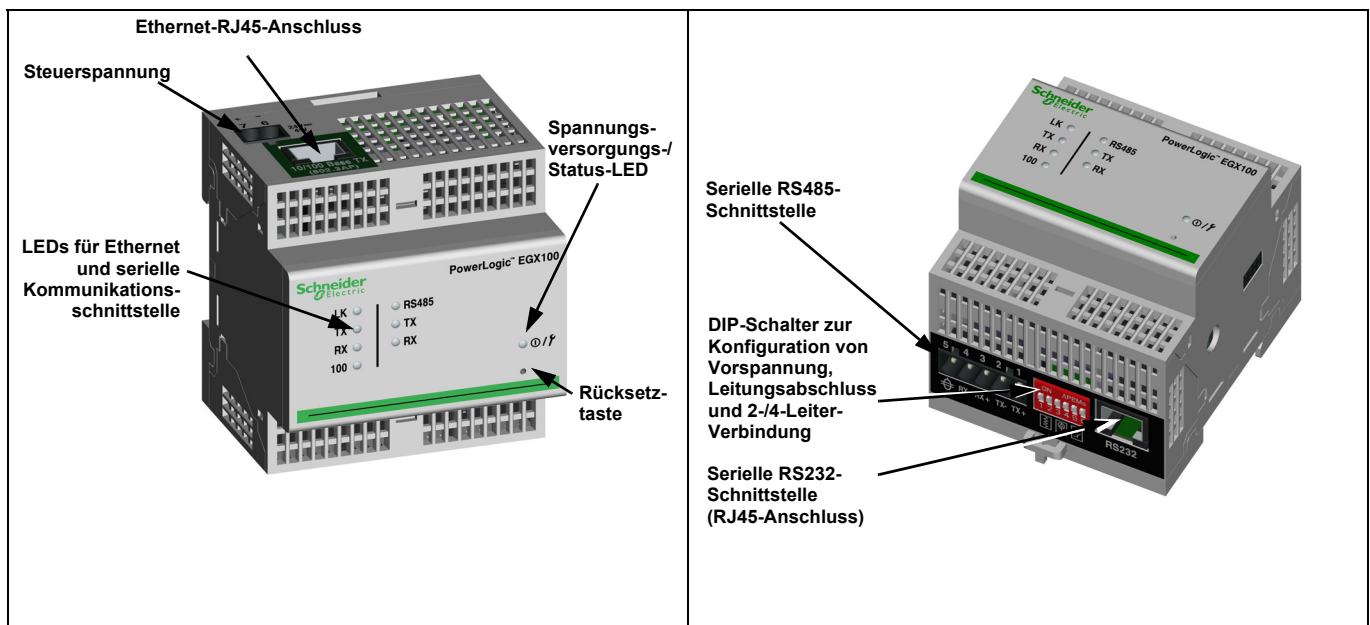
Das EGX100 ist ein Kommunikationsgerät, welches die Vernetzung zwischen Ethernet (Modbus TCP/IP) und seriellen Geräten ermöglicht, indem Modbus-TCP/IP-Clients auf Informationen von seriellen Slave-Geräten zugreifen können. Es ermöglicht auch den Zugriff serieller Master-Geräte auf Informationen von Slave-Geräten, die über ein Ethernet-Netzwerk verteilt sind.

Unterstützte Ethernet-Protokolle

Das EGX unterstützt folgende Ethernet-Protokolle:

- **Modbus-TCP/IP:** Modbus TCP/IP ist eine Kombination aus dem Modbus-Protokoll, das die Master-Slave-Kommunikation zwischen Geräten ermöglicht, und TCP/IP, das für die Kommunikation über eine Ethernet-Verbindung sorgt. Modbus TCP/IP wird für den Datenaustausch zwischen dem EGX und anderen kompatiblen Modbus-TCP/IP-Geräten über TCP-Port 502 verwendet.
- **Hypertext Transfer Protocol (HTTP):** HTTP ist ein Netzwerkprotokoll, das die Übertragung von Dateien und Daten im Internet abwickelt. Es stellt Webserver-Funktionalität über den TCP-Port 80 bereit. Die Fernkonfiguration des EGX und die Anzeige der Diagnosedaten ist mit einem Webbrowser möglich.
- **File Transfer Protocol (FTP):** FTP ist ein Netzwerkprotokoll, mit dem Dateien über das Internet von einem Computer zum anderen übertragen werden können. FTP wird über den TCP-Port 21 zur Übertragung von Firmware-Updates zum EGX benutzt.
- **Simple Network Management Protocol (SNMP):** SNMP basiert auf dem MIB-2-Format und ermöglicht das Speichern und Übertragen von Identifikations- und Diagnosedaten, die für Netzwerkverwaltungszwecke über den UDP-Port 161 benutzt werden.
- **Address Resolution Protocol (ARP):** ARP wird zur Konvertierung von IP-Adressen in Ethernet-Adressen verwendet. ARP-Anfragen werden vom EGX gesendet, um festzustellen, ob seine IP-Adresse bereits benutzt wird (siehe „Erkennung identischer IP-Adressen“ auf Seite 4).

Hardware



Zusätzliche Ressourcen

Unterlagen: Rufen Sie die Website www.powerlogic.com auf und wählen Sie Ihr Land aus. Wählen Sie „Library“ > „PowerLogic Products“ > „Communications“ > „EGX100 Gateway“ aus und klicken Sie auf das Dokument, das Sie herunterladen möchten.

HINWEIS: Wenn Sie ein anderes Land als die USA ausgewählt haben, folgen Sie der länderspezifischen Navigation, um die EGX-Dokumentation abzurufen.

Firmware: Siehe „Firmware“ auf Seite 15 für Informationen zum Herunterladen und Installieren von neuer Firmware.

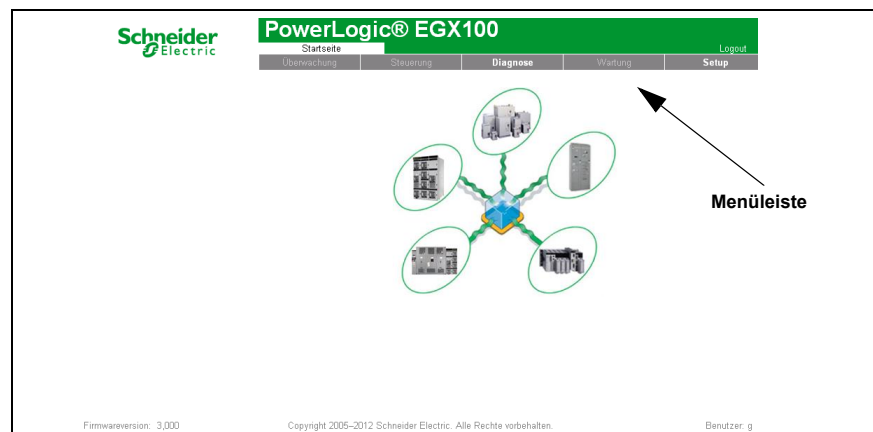
Zugang zum EGX über ein Netzwerk

Nachdem Sie die Ethernet-Parameter eingerichtet haben (siehe Installationshandbuch) können Sie mit Internet Explorer 6.0 oder höher über ein Ethernet-LAN auf das EGX zugreifen.

Anmelden beim EGX

Maßnahme	Ergebnis
1. Starten Sie Internet Explorer 6.0 oder höher.	Einblendung des Internet Explorers.
2. Geben Sie in das Textfeld Adresse die Adresse Ihres EGX ein (Werkeinstellung: 169.254.0.10) und drücken Sie die Eingabetaste.	Einblendung des Anmelde-Dialogfelds.
3. Geben Sie in die Textfelder Ihren Benutzernamen (Werkeinstellung: <i>Administrator</i>) und das Kennwort (Werkeinstellung: <i>Gateway</i>) ein und klicken Sie auf OK .	Eingabe des Benutzernamens und des Kennworts sowie Einblendung der EGX-Startseite.
4. Klicken Sie auf Setup , um die EGX-Setup-Seite aufzurufen, oder klicken Sie auf Diagnose , um auf die EGX-Diagnoseseite zuzugreifen.	Einblendung der Setup- oder Diagnoseseite

Abbildung 1: EGX-Startseite



Abmeldung

Es wird empfohlen, dass Sie sich immer dann abmelden, wenn Sie keinen Zugang zum EGX benötigen.

Um die EGX-Konfigurationssitzung zu beenden und sich abzumelden, klicken Sie auf **Logout**.

EGX-Benutzeroberfläche – Überblick

Das EGX wird mit acht vorinstallierten Webseiten für die Einrichtung und Konfiguration des EGX ausgeliefert. Tabelle 1 enthält eine Beschreibung jeder Webseite.

Tabelle 1: Statische EGX-Webseiten

EGX-Webseite	Beschreibung	Siehe Seite
Setup		
Ethernet & TCP/IP	Konfiguration der Ethernet- und TCP/IP-Einstellungen.	3
Serielle Schnittstelle	Einrichtung oder Änderung von seriellen Kommunikationsparametern.	5
Geräteliste	Identifizierung der seriellen Geräte in der Geräteketten.	6
Benutzerkonten ¹	Erstellung und Bearbeitung von Gruppen und Benutzern.	8
Webseitenzugriff ¹	Auswahl der Webseiten-Zugriffsrechte für jede Benutzergruppe.	8
Modbus-TCP/IP-Filter ¹	Einrichtung der IP-Adressen, die über Modbus-TCP/IP auf das EGX zugreifen können.	9
SNMP-Parameter ¹	Aktivieren und Konfigurieren des SNMP (Simple Network Management Protocol), mit dem sich das EGX Netzwerkgeräten gegenüber identifizieren kann, die SNMP Daten anfordern.	10
Systemzugangspunkt ¹	Damit kann das EGX100 seine Existenz jedem mit dem Netzwerk verbundenen EGX300 über Multicast mitteilen.	11
Diagnose		
Statistik	Anzeige von Diagnosedaten zur Fehlersuche und -behebung bei Netzwerkproblemen. Diese Seite enthält auch spezifische Informationen über Ihr EGX, einschließlich Seriennummer, Herstellungsdatum und MAC-Adresse.	12
Gerätregister lesen	Ermöglicht EGX-Administratoren das Lesen der Registerdaten von einem mit dem EGX verbundenen seriellen Gerät.	14

¹ Nur für den Administrator zugänglich

Setup

Für den Zugang zu den Links der Setup-Webseiten klicken Sie auf **Setup** in der **EGX-Menüleiste**.

Ethernet- und TCP/IP-Einstellungen

Maßnahme	Ergebnis
1. Klicken Sie auf der Setup-Seite auf Ethernet & TCP/IP .	Einblendung der Ethernet & TCP/IP-Seite.
2. Wählen Sie Ihr Rahmenformat und das Übertragungsmedium aus. Falls Sie diese Informationen nicht haben, wenden Sie sich an Ihren Netzwerkadministrator.	Auswahl von Rahmenformat und Übertragungsmedium.
3. Geben Sie Ihre IP-Adresse, die Subnetzmaske und die dem EGX durch Ihren Netzwerkadministrator zugewiesene Standard-Gateway-Adresse ein.	Eingabe der Ethernet-Parameter für das EGX. <i>HINWEIS: Wenn Sie eine IP-Adresse eingeben, die bereits verwendet wird, werden Sie zur Auswahl einer anderen IP-Adresse aufgefordert. Siehe „Erkennung identischer IP-Adressen“ auf Seite 4.</i>
4. Klicken Sie auf Übernehmen .	Aktualisierung der Ethernet- und TCP/IP-Einstellungen des EGX.

* Tabelle 2 auf Seite 4 enthält eine Liste der Optionen.

HINWEIS: Nachdem Sie die Ethernet-Parameter geändert und auf „Übernehmen“ geklickt haben, startet das EGX neu.

Abbildung 2: Ethernet & TCP/IP-Seite

Tabelle 2: EGX-Ethernet- und TCP/IP-Einstellungen

Option	Beschreibung	Einstellung
Rahmenformat	Auswahl des Formats, in dem Daten über eine Ethernet-Verbindung gesendet werden.	Ethernet II, 802.3 SNAP Werkeinstellung: Ethernet II
Übertragungsmedium	Festlegung der physikalischen Ethernet-Verbindung oder des Übertragungsmediums.	<ul style="list-style-type: none"> • 10T/100Tx Auto • 10BaseT-HD • 10BaseT-FD • 100BaseTX-HD • 100BaseTX-FD Werkeinstellung: 10T/100Tx Auto
IP-Adresse	Eingabe der statischen IP-Adresse des EGX.	Werkeinstellung: 169.254.0.10
Subnetzmaske	Eingabe der Ethernet-IP-Subnetzmaskenadresse Ihres Netzwerks.	Werkeinstellung: 255.255.0.0
Standard-Gateway	Eingabe der Gateway-IP-Adresse (Router) für WAN-Kommunikation.	Werkeinstellung: 0.0.0.0

Erkennung identischer IP-Adressen

Während das EGX an Ihr Netzwerk angeschlossen ist, veröffentlicht es seine IP-Adresse. Zur Vermeidung von Konflikten aufgrund doppelt vergebenen IP-Adressen wird vom EGX das ARP-Protokoll (Address Resolution Protocol) benutzt. Damit wird festgestellt, ob ein anderes Gerät in Ihrem Netzwerk die gleiche IP-Adresse verwendet. In der nachstehenden Tabelle 3 wird erläutert, wie das EGX mit einer doppelt vergebenen IP-Adresse umgeht, sobald es sie erkannt hat.

Tabelle 3: Szenarien für Erkennung doppelter IP-Adressen

Szenario	Doppelte IP-Adresse erkannt	Spannungsversorgungs-/ Status-LED
Boot-Prozess/ Wiederherstellung der Spannungsversorgung	Das EGX kehrt zur voreingestellten IP-Adresse, Subnetzmaske und Gateway-Adresse zurück. ARP-Anfragen werden alle 15 Sekunden gesendet, bis die IP-Adresse verfügbar ist. Sobald die IP-Adresse verfügbar ist, wird sie vom EGX verwendet.	Muster aus vier Blinkzeichen und einer Pause
Ethernet-Verbindung erkannt		
Manuelle Adressenänderung	Das EGX behält die vorherige IP-Adresse bei und zeigt durch eine Meldung an, dass die IP-Adresse bereits von einem anderen Gerät verwendet wird.	
Empfang einer ARP-Anfrage	Das EGX kehrt zur voreingestellten IP-Adresse, Subnetzmaske und Gateway-Adresse zurück, wenn ein angeschlossenes Gerät vier ARP-Anfragen bezüglich der IP-Adresse des EGX sendet. Das EGX sendet alle 15 Sekunden ARP-Anfragen, bis die IP-Adresse wieder verfügbar ist. Sobald die IP-Adresse verfügbar ist, wird sie vom EGX verwendet.	Muster aus vier Blinkzeichen und einer Pause

Serielle Schnittstelle

Maßnahme	Ergebnis
1. Klicken Sie auf der Setup-Seite auf Serielle Schnittstelle .	Einblendung der Seite „Serielle Schnittstelle“.
2. Wählen Sie Ihren Modus, die physikalische Schnittstelle, den Übertragungsmodus, die Baudrate, die Parität und die Antwort-Zeitüberschreitung aus (siehe Tabelle 4 auf Seite 5).	Auswahl der Optionen für die serielle Schnittstelle.
3. Wenn Sie den Slave-Modus auswählen, geben Sie die IP-Adresse für die angeschlossenen, abgesetzten Geräte ein (siehe Tabelle 4 auf Seite 5).	Eingabe der IP-Adressen der entfernten Geräte.
4. Klicken Sie auf Übernehmen .	Aktualisierung der Einstellungen der seriellen EGX-Schnittstelle.

Abbildung 3: Seite „Serielle Schnittstelle“

Serielle Schnittstelle

Modus:	Master	▼
Physikalische Schnittstelle:	RS485 4-Draht	▼
Übertragungsmodus:	Automatisch	▼
Baudrate:	19200	▼
Parität:	Gerade	▼
Antwort-Zeitüberschreitung:	3	▼ (Sekunden)

Tabelle 4: Einstellungen der seriellen Schnittstelle

Option	Beschreibung	Einstellung
Modus	Hier wird festgelegt, wie die COM-Schnittstelle am EGX verwendet wird (Master oder Slave). <i>HINWEIS: Wird der Modus geändert, startet das EGX neu.</i>	Master, Slave Werkeinstellung: Master
Physikalische Schnittstelle	Auswahl der physikalischen Verdrahtung der seriellen EGX-Schnittstelle.	RS485 4-Draht, RS485 2-Draht oder RS232 Werkeinstellung: RS485 2-Draht
Übertragungsmodus	Hier wird festgelegt, wie Daten über die serielle Verbindung übertragen werden.	Master-Modus: Automatisch, Modbus ASCII Slave-Modus: Modbus RTU, Modbus ASCII Werkeinstellung: <ul style="list-style-type: none"> • Master-Modus: Automatisch • Slave-Modus: Modbus RTU <i>HINWEIS: Im Automatikmodus kann das Gerät mit Modbus-RTU-, Jbus- und PowerLogic™ (SY/MAX)-Slave-Geräten in der gleichen Geräteketten kommunizieren.</i>
Baudrate	Hier wird die Geschwindigkeit der Datenübertragung über die serielle Verbindung festgelegt.	2400, 4800, 9600, 19200, 38400, 56000*, 57600* Werkeinstellung: 19200
Parität	Hier wird festgelegt, ob die Daten mit einem Paritäts-Bit auf Richtigkeit geprüft werden sollen.	Gerade, Ungerade, Keine Werkeinstellung: Gerade
Antwort-Zeitüberschreitung	Dieser Parameter legt fest, wie lange das EGX auf den Empfang einer Antwort von einem seriellen Gerät wartet.	0,1 bis 10 Sekunden Werkeinstellung: 3 Sekunden
Remote-Modbus-TCP/IP-Verbindungen (nur Slave-Modus)	Damit wird eine Liste mit Modbus-TCP/IP-Adressen für das EGX zur Verwendung während der Slave-Modus-Kommunikation festgelegt.	—
* Nur verfügbar, wenn die physikalische Schnittstelle bzw. der Übertragungsmodus auf RS232/Modbus ASCII eingestellt ist.		

Geräteliste

Beachten Sie vor Beginn Folgendes:

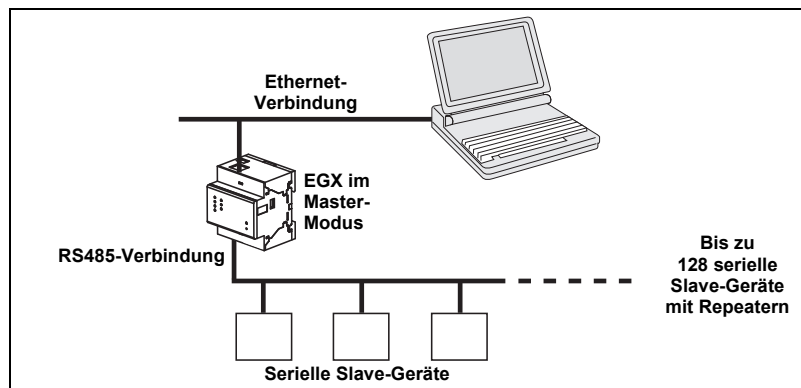
Bei Master-Modus für die COM-Schnittstelle:

- Modbus-RTU/Jbus-Geräte müssen nicht in die Geräteliste eingetragen werden, aber ein Eintrag erleichtert die Verwaltung Ihres Systems.
- PowerLogic™-Protokollgeräte (SY/MAX) müssen in die Geräteliste eingetragen werden.

HINWEIS: Verwenden Sie die seriellen Slave-Adressen 1 bzw. 16 nicht im automatischen Übertragungsmodus in einer Gerätekette mit gemischten Protokollen (beispielsweise bei einer Gerätekette mit Geräten, von denen einige das PowerLogic™-Protokoll und andere ein Modbus-RTU/Jbus-Protokoll verwenden).

Geräteliste für Master-Modus einrichten

Abbildung 4: Master-Modus-Topologie



Wenn Sie auf der Seite „Serielle Schnittstelle“ den Master-Modus ausgewählt haben, führen Sie die nachstehenden Schritte zur Einrichtung der Geräteliste aus:

Maßnahme	Ergebnis
1. Klicken Sie auf der Setup-Seite auf Geräteliste .	Einblendung der Seite „Geräteliste“.
2. Wählen Sie die Anzahl der anzuzeigenden Geräte (1 bis 128) aus und klicken Sie auf Übernehmen .	Auswahl der Anzahl sichtbarer Standorte, die zur Definition der an das EGX angeschlossenen seriellen Slave-Geräte benutzt werden können.
3. Geben Sie in das Textfeld Lokale ID die lokale ID (Adresse) des seriellen Slave-Geräts ein.	Eingabe der lokalen Adresse des Geräts.
4. Wählen Sie das Protokoll aus.	Auswahl des Protokolls für das angeschlossene Gerät.
5. Wiederholen Sie die Schritte 3 und 4, bis alle Geräte eingegeben sind.	Eingabe aller angeschlossenen Geräte.
6. Klicken Sie auf Übernehmen .	Aktualisierung der Einstellungen in der Geräteliste.

Abbildung 5: Seite „Geräteliste“ im Master-Modus

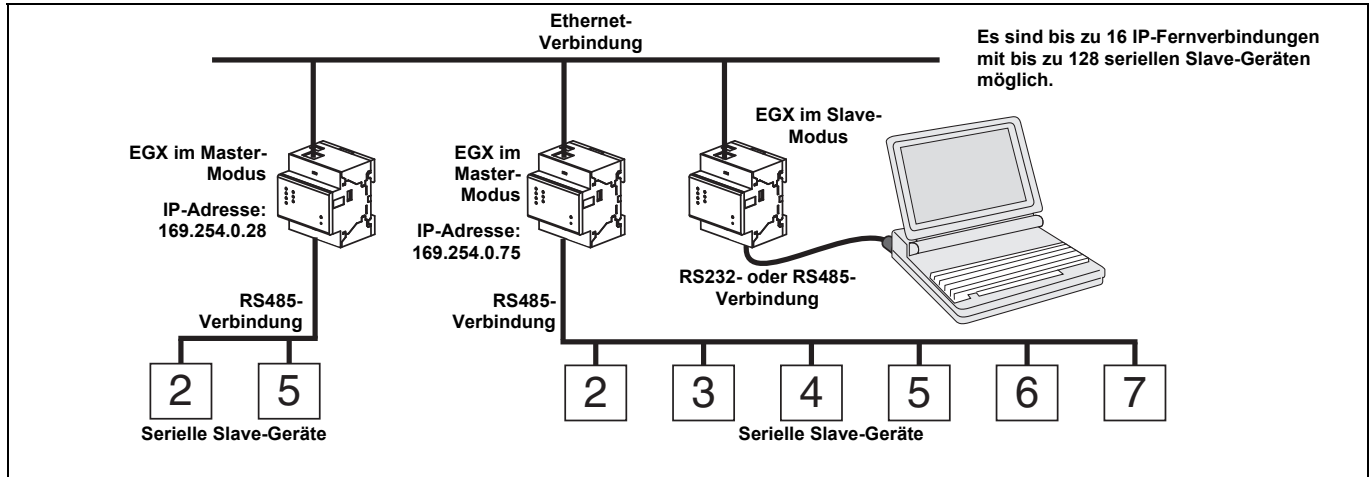
Protokoll	Lokale ID
Modbus	1
PowerLogic	2
Modbus	4
Modbus	7
Modbus	212
Modbus	
Modbus	
Modbus	

Übernehmen

Geräteliste für Slave-Modus einrichten

Der Slave-Modus der seriellen Schnittstelle gestattet seriellen Modbus-Master-Geräten den Zugriff auf Informationen von seriellen Slave-Geräten über ein TCP/IP-Netzwerk. Die nachstehende Abbildung 6 zeigt, wie die Geräte mit den Gerätelisteneinstellungen in Abbildung 7 angeschlossen werden.

Abbildung 6: Slave-Modus-Topologie



Wenn Sie auf der Seite „Serielle Schnittstelle“ den Slave-Modus ausgewählt haben, führen Sie die nachstehenden Schritte zur Einrichtung der Geräteliste aus:

Maßnahme	Ergebnis
1. Klicken Sie auf der Setup-Seite auf Geräteliste .	Einblendung der Seite „Geräteliste“.
2. Wählen Sie die Anzahl der anzuzeigenden Geräte (1 bis 128) aus und klicken Sie auf Übernehmen .	Auswahl der Anzahl sichtbarer Standorte, die zur Definition von Remote-Modbus-TCP/IP-Geräten benutzt werden können.
3. Wählen Sie die Verbindung aus.	Auswahl der Modbus-TCP/IP-Adresse zur Verknüpfung mit der Fern-ID.
4. Geben Sie in das Textfeld Lokale ID die lokale ID (Adresse) des seriellen Slave-Geräts ein.	Eingabe der Adresse des Geräts, welches das lokale Modbus-Master-Gerät für den Zugriff auf das abgesetzte Gerät nutzen soll
5. Geben Sie in das Textfeld Fern-ID die Fern-ID (Adresse) des seriellen Slave-Geräts ein.	Eingabe der seriellen Slave-Adresse des angeschlossenen abgesetzten Geräts.
6. Wiederholen Sie die Schritte 3 bis 5, bis alle Geräte eingegeben sind.	Eingabe aller Zuordnungsinformationen für das EGX zur Kommunikation mit abgesetzten Geräten.
7. Klicken Sie auf Übernehmen .	Aktualisierung der Einstellungen in der Geräteliste.

Abbildung 7: Seite „Geräteliste“ im Slave-Modus

Geräteliste

Anzahl anzuzeigende Geräte:

Verbindung	Lokale ID	Fern-ID
157.198.184.86	1	2
157.198.184.82	2	5
157.198.184.82	4	2
Serielle Schnittstelle	7	
157.198.184.82	6	4
Serielle Schnittstelle		
Serielle Schnittstelle		
Serielle Schnittstelle		

Benutzerkonten

EGX-Benutzern werden Benutzernamen und Kennwörter zugewiesen. Jeder Benutzer gehört zu einer Gruppe, und jede Gruppe besitzt Zugriffsrechte auf die EGX-Webseiten, die vom EGX-Administrator zugewiesen wurden.

HINWEIS: Es gibt zwei Standard-Benutzerkonten: Administrator (Kennwort: Gateway) und Guest (Kennwort: Guest).

Maßnahme	Ergebnis
1. Klicken Sie auf der Setup-Seite auf Benutzerkonten .	Einblendung der Seite „Benutzerkonten“.
2. Wenn Sie einen Gruppennamen ändern wollen, geben Sie den neuen Namen in eines der Textfelder Gruppen ein (der Administrator-Gruppenname kann nicht geändert werden).	Eingabe eines neuen Gruppennamens.
3. Geben Sie im Bereich „Benutzer“ einen Namen (1 bis 24 Zeichen) und ein Kennwort (0 bis 12 Zeichen) für einen neuen Benutzer ein. <i>HINWEIS: Benutzernamen und Kennwörter berücksichtigen Groß- und Kleinschreibung und können nur alphanumerische Zeichen enthalten.</i>	Eingabe des Namens und des Kennworts für einen Benutzer.
4. Wählen Sie eine Gruppe und die Standardsprache für den neuen Benutzer aus.	Auswahl der Gruppe und der Sprache für einen Benutzer.
5. Wiederholen Sie die Schritte 3 und 4 für jeden zusätzlichen Benutzer, den Sie hinzufügen wollen.	Hinzufügen weiterer Benutzer.
6. Klicken Sie auf Übernehmen .	Speicherung aller Benutzerkonteneinstellungen.

Tabelle 5: EGX-Konten und -Kennwörter

Konto	Standardkennwort
Administrator	Gateway
Guest	Guest
Benutzerdefinierte Konten (bis zu 11 Konten möglich)	Keine Werkeinstellung – Kennwort ist benutzerdefiniert

Abbildung 8: Seite „Benutzerkonten“

Webseitenzugriff

Maßnahme	Ergebnis
1. Klicken Sie auf der Setup-Seite auf Webseitenzugriff .	Einblendung der Seite „Webseitenzugriff“.
2. Wählen Sie in der Zeile Ethernet u. TCP/IP die Zugriffsberechtigung (Keine, Schreibgeschützt oder Vollständig) für jede Benutzergruppe für die Webseite „Ethernet & TCP/IP“ aus.	Für eine Erläuterung der Zugriffsberechtigungen für jede Gruppe siehe die nachstehende Tabelle 6.

Maßnahme	Ergebnis
3. Um einem Gast den Zugriff auf die Webseite zu ermöglichen, wählen Sie in der Spalte Guest die Zugriffsberechtigung Schreibgeschützt aus. <i>HINWEIS: Wenn für die Gruppe „Guest“ die Zugriffsberechtigung „Schreibgeschützt“ eingestellt ist, kann als Zugriffsberechtigung für andere Gruppen nur „Schreibgeschützt“ oder „Vollständig“ ausgewählt werden.</i>	Erlaubt der Standardgruppe „Guest“ den Zugriff auf die Webseite.
4. Wiederholen Sie die Schritte 2 und 3 für die Zeilen „Serielle Schnittstelle“, „Geräteliste“, „Statistik“ und „Geräteregister lesen“.	Auswahl der Zugriffsberechtigung für jede Webseite.
5. Klicken Sie auf Übernehmen .	Speicherung der Kennworteinstellungen.

Tabelle 6: Gruppenzugriff

Gruppe	Zugriff
Administrator	Vollständiger Zugriff auf alle Webseiten. <i>HINWEIS: Aus Systemsicherheitsgründen wird empfohlen, das Standard-Administrator Kennwort nach der ersten Anmeldung zu ändern.</i>
Guest	Schreibgeschützter Zugriff auf ausgewählte Webseiten.
Drei benutzerdefinierte Gruppen	Durch Auswahl aus folgenden Optionen weist der Administrator jeder Gruppe bestimmte Webseiten-Zugriffsrechte zu. Es gibt folgende Zugriffsberechtigungen: <ul style="list-style-type: none"> • Keine: Eine Gruppe hat keinen Zugriff auf die ausgewählte Webseite. • Schreibgeschützt: Das Kennwort gewährt einer Gruppe nur Lesezugriff auf die ausgewählte Webseite. • Vollständig: Eine Gruppe hat die gleichen Zugriffsrechte für die ausgewählte Webseite wie die Administrator-Gruppe.

Abbildung 9: Seite „Webseitenzugriff“

Webseitenzugriff

	Engineering	Operations	Maintenance	Guest
Ethernet u. TCP/IP	Schreibgeschützt	Schreibgeschützt	Schreibgeschützt	Keine
Serielle Schnittstelle	Schreibgeschützt	Schreibgeschützt	Schreibgeschützt	Keine
Geräteliste	Schreibgeschützt	Schreibgeschützt	Schreibgeschützt	Keine
Statistik	Schreibgeschützt	Schreibgeschützt	Schreibgeschützt	Keine
Geräteregister lesen	Schreibgeschützt	Schreibgeschützt	Schreibgeschützt	Keine

Modbus-TCP/IP-Filter

Mit dieser Funktion kann der Administrator für Modbus-TCP/IP-Client-Geräte festlegen, ob sie Zugriff auf die an das EGX angeschlossenen seriellen Slave-Geräte haben oder nicht.

*HINWEIS: Der anonymen Modbus-TCP/IP-Adresse (***) können die Zugriffsberechtigungen „Schreibgeschützt“ oder „Keine“ zugewiesen werden. Die Einstellung **Schreibgeschützt** erlaubt jedem Modbus-TCP/IP-Client, der nicht in der Filterliste enthalten ist, den Zugriff auf serielle Slave-Geräte mit der Zugriffsberechtigung „Schreibgeschützt“. Die Einstellung **Keine** blockiert alle Modbus-TCP/IP-Clients, die nicht in der Filterliste enthalten sind.*

Maßnahme	Ergebnis
1. Klicken Sie auf der Setup-Seite auf Modbus-TCP/IP-Filter .	Einblendung der Seite „Modbus-TCP/IP-Filter“.
2. Markieren Sie Filter aktivieren .	Aktivierung der Filterfunktion.
3. Geben Sie in der Spalte IP-Adresse die Modbus-TCP/IP-Client-Adresse ein.	Eingabe einer IP-Adresse für einen Modbus-TCP/IP-Client, der Zugriff auf die an das EGX angeschlossenen seriellen Geräte haben soll.
4. Wählen Sie in der Spalte Zugriffsberechtigung entweder „Schreibgeschützt“ oder „Vollständig“ aus.	Auswahl der Zugriffsberechtigung für die entsprechende IP-Adresse. Für die Einstellung „Schreibgeschützt“ sind nur die folgenden Modbus-TCP/IP-Funktionscodes zulässig: Dezimal: 1, 2, 3, 4, 7, 8, 11, 12, 17, 20, 24, 43, 100 Hexadezimal: 01, 02, 03, 04, 07, 08, 0B, 0C, 11, 14, 18, 2B, 64

Maßnahme	Ergebnis
5. Wiederholen Sie die Schritte 3 und 4, um weitere IP-Adressen hinzuzufügen.	Hinzufügen weiterer IP-Adressen für den Filter.
6. Klicken Sie auf Übernehmen .	Speicherung der Modbus-TCP/IP-Adressen-Filterliste.

Abbildung 10: Seite „Modbus-TCP/IP-Filter“

Modbus-TCP/IP-Filter

Filter aktivieren:

IP-Adresse				Zugriffsberechtigung
***	***	***	***	Schreibgeschützt
169	254	0	33	Vollständig
				Schreibgeschützt
				Schreibgeschützt
				Schreibgeschützt
				Schreibgeschützt
				Schreibgeschützt
				Schreibgeschützt
				Schreibgeschützt
				Schreibgeschützt
				Schreibgeschützt
				Schreibgeschützt
				Schreibgeschützt
				Schreibgeschützt

SNMP-Parameter

Da das EGX SNMP unterstützt, können Netzwerkadministratoren mit einem SNMP-Manager auf ein abgesetztes EGX zugreifen und den Netzwerkstatus sowie die Diagnose im MIB-2-Format anzeigen.

Maßnahme	Ergebnis
1. Klicken Sie auf der Setup-Seite auf SNMP-Parameter .	Einblendung der Seite „SNMP-Parameter“.
2. Markieren Sie SNMP aktivieren , um SNMP (Simple Network Management Protocol) einzuschalten. <i>HINWEIS: Wenn Sie die Markierung des Kontrollkästchens „SNMP aktivieren“ entfernen und auf „Übernehmen“ klicken, startet das EGX neu und die SNMP-Funktion wird deaktiviert.</i>	Aktivierung von SNMP.
3. Geben Sie den Systemverantwortlichen, die Systembezeichnung, den Systemstandort, den Communitynamen mit Nur-Lese-Zugriff und den Communitynamen mit Lese- und Schreibzugriff ein.	Eingabe der SNMP-Systeminformationen und der Community-Zugriffsnamen.
4. Klicken Sie auf Übernehmen .	Speicherung der SNMP-Einstellungen.

Abbildung 11: Seite „SNMP-Parameter“

SNMP-Parameter

SNMP aktivieren:

Systemverantwortlicher:

Systembezeichnung:

Systemstandort:

Communityname mit Nur-Lese-Zugriff:

Communityname mit Lese- und Schreibzugriff:

Systemzugangspunkt

Mit Hilfe des Systemzugangspunkts kann das EGX100 seine Existenz jedem mit dem Netzwerk verbundenen EGX300 über Multicast mitteilen. Diese Funktion ist so konfiguriert, dass sie standardmäßig ausgeführt wird und keine weitere Konfiguration benötigt.

Verwenden Sie den Setup-Bildschirm in Abbildung 12 auf Seite 11 für die Eingabe der Gruppen-IP-Adresse und zugehöriger Informationen.

Maßnahme	Ergebnis
1. Klicken Sie im Setup-Menü auf Systemzugangspunkt .	Das Fenster „Systemzugangspunkt“ wird angezeigt.
2. Wählen Sie den UDP-Port, die Gruppen-IP-Adresse, das Meldungsintervall, die Haltezeit, die Multicast-Gültigkeitsdauer und die Gemeinschaft aus. Für eine Beschreibung der Einstellungen siehe Tabelle 7.	Auswahl der Systemzugangspunkteinstellungen.
3. Klicken Sie auf Übernehmen . <i>HINWEIS: Um die Werkeinstellungen wiederherzustellen, klicken Sie auf „Standardwerte“ und dann auf „Übernehmen“.</i>	Übernahme der Einstellungen für das EGX100.

Tabelle 7: Einstellungen für den Systemzugangspunkt

Option	Beschreibung	Einstellung
Aktiviert	Bei aktivierter Option können EGX300-Geräte EGX100-Geräte mit der gleichen Gruppen-IP-Adresse erkennen.	Aktiviert, Deaktiviert Werkeinstellung: Aktiviert
UDP-Port	Damit kann die Port-Nummer für den UDP-Port eingestellt werden, der von der Systemzugangspunkt-Erkennung verwendet wird.	1 bis 65535 Werkeinstellung: 59
Gruppen-IP-Adresse	Mit dieser Option werden Multicast- und Unicast-Adressen unterstützt.	Werkeinstellung: 224.0.1.2
Meldungsintervall	Das ist die Zeit zwischen den „Hallo-Meldungen“, die vom EGX100 ausgegeben werden, um anderen Systemzugangsgaräten von Schneider Electric seine Anwesenheit im Netzwerk mitzuteilen.	1 bis 65534 Sekunden Werkeinstellung: 300 Sekunden
Haltezeit	Das ist der Zeitraum, für den vom jeweiligen EGX100 gesendete „Hallo-Meldungen“ von Empfängern gehalten werden müssen, bevor dieses EGX100 als nicht verfügbar angesehen wird.	2 bis 65535 Sekunden Werkeinstellung: 600 Sekunden
Multicast-Gültigkeitsdauer	Damit können Sie die Größe des Netzwerkbereichs, der zur Erkennung von anderen Geräten verwendet wird, festlegen. Dazu wird die zulässige Anzahl der Multicast-Weiterleitungen an andere Geräte angegeben.	1 bis 255 Routerhops Werkeinstellung: 1
Gemeinschaft	Geräte in einer Gruppe können in Gemeinschaften unterteilt werden. EGX300-Geräte können EGX100-Geräte mit der gleichen IP-Adresse und Gemeinschaftsnummer erkennen. Durch Einstellen der Gemeinschaftsnummer auf „0“ kann ein EGX300 alle EGX100-Geräte mit derselben Gruppen-IP-Adresse ohne Berücksichtigung der Gemeinschaftseinstellung erkennen.	0 bis 65535 Werkeinstellung: 0

Abbildung 12: Systemzugangspunkt

Systemzugangspunkt

Aktiviert:

UDP-Port: (1--65535)

Gruppen-IP-Adresse: . . .

Meldungsintervall: (1--65534 Sekunden)

Haltezeit: (2--65535 Sekunden)

Multicast-Gültigkeitsdauer: (1--255 Hops)

Gemeinschaft: (0--65535)

Diagnose

Für den Zugriff auf die Diagnose-Webseiten-Links klicken Sie in der **EGX-Menüleiste** auf **Diagnose**.

Statistik

Maßnahme	Ergebnis
1. Klicken Sie auf der Seite „Diagnose“ auf Statistik .	Einblendung der Seite „Statistik“ (siehe Abbildung 13). <i>HINWEIS: Die Seite „Statistik“ zeigt Daten auf der Grundlage des unter „Serielle Schnittstelle“ auf Seite 5 ausgewählten Modus an.</i>
2. Zeigen Sie die Daten an.	Siehe „Statistik auswerten“ auf Seite 13.
3. Klicken Sie auf Rücksetzen .	Rücksetzung der kumulativen Diagnosedaten des EGX auf 0.

HINWEIS: Diese Seite zeigt kumulierte Werte seit der letzten Aktivierung des EGX an. Wenn die Spannungsversorgung zum EGX unterbrochen wird, werden alle kumulierten Werte auf 0 zurückgesetzt.

Abbildung 13: Seite „Statistik“

Lesen mit serieller Schnittstelle im MASTER-MODUS	Lesen mit serieller Schnittstelle im SLAVE-MODUS
Statistik	Statistik
Ethernet	Ethernet
Verbindungsstatus: 10BaseT-HD	Verbindungsstatus: 10BaseT-HD
Rahmen ohne Fehler gesendet: 736	Rahmen ohne Fehler gesendet: 736
Kollisionen: 0	Kollisionen: 0
Zu hohe Anzahl an Kollisionen: 0	Zu hohe Anzahl an Kollisionen: 0
Rahmen ohne Fehler empfangen: 63837	Rahmen ohne Fehler empfangen: 63837
CRC-Fehler: 0	CRC-Fehler: 0
Synchronisierfehler: 0	Synchronisierfehler: 0
Rahmen zu lang: 0	Rahmen zu lang: 0
Rahmen zu kurz: 0	Rahmen zu kurz: 0
Modbus-TCP/IP	Modbus-TCP/IP
Rahmen gesendet: 0	Rahmen gesendet: 0
Rahmen empfangen: 0	Rahmen empfangen: 0
Protokollfehler: 0	Protokollfehler: 0
Aktive Verbindungen : 0	Abgegangene Lesenachrichten: 0
Summe der Verbindungen: 0	Abgegangene Schreibnachrichten: 0
Maximale Anzahl Verbindungen: 0	Eingegangene Antwortnachrichten: 0
Eingegangene Lesenachrichten: 0	
Eingegangene Schreibnachrichten: 0	Serielle Schnittstelle
Abgegangene Antwortnachrichten: 0	Rahmen gesendet: 0
Serielle Schnittstelle	Rahmen empfangen: 0
Rahmen gesendet: 0	CRC-Fehler: 0
Rahmen empfangen: 0	Protokollfehler: 0
CRC-Fehler: 0	Eingegangene Lesenachrichten: 222357
Protokollfehler: 0	Eingegangene Schreibnachrichten: 0
Zeitüberschreitungen: 0	Gateway-Informationen
Abgegangene Lesenachrichten: 0	Firmwareversion: 3.000
Abgegangene Schreibnachrichten: 0	System-Leerlaufzeit: 60%
Gateway-Informationen	MAC-Adresse: 00:80:67:80:35:5A
Firmwareversion: 3.000	Seriennummer: 33000001
System-Leerlaufzeit: 43%	Modellnummer: EGX100MG
MAC-Adresse: 00:80:67:80:35:5A	Hardwareversion: A1
Seriennummer: 33000001	Herstellungsdatum: 2005-Jan-01
Modellnummer: EGX100MG	
Hardwareversion: A1	<input type="button" value="Rücksetzen"/>
Herstellungsdatum: 2005-Jan-01	
<input type="button" value="Rücksetzen"/>	

Statistik auswerten

Statistik	Beschreibung
Ethernet	
Verbindungsstatus	Status-Zeichenkette, die die Geschwindigkeit und die Duplex-Einstellung darstellt, die zur Kommunikation mit dem Verbindungspartner benutzt werden.
Rahmen ohne Fehler gesendet	Zähler, der sich jedes Mal um eins erhöht, wenn ein Rahmen erfolgreich gesendet wird.
Kollisionen	Zähler, der sich jedes Mal um eins erhöht, wenn ein Rahmen aufgrund der Erkennung einer Kollision neu übertragen wird.
Zu hohe Anzahl an Kollisionen	Zähler, der sich jedes Mal um eins erhöht, wenn ein Rahmen aufgrund der Erreichung des maximalen Kollisionsstatus auf der Basis des „Truncated Binary Exponential Backoff“-Algorithmus nicht gesendet werden kann.
Rahmen ohne Fehler empfangen	Zähler, der sich jedes Mal um eins erhöht, wenn ein Rahmen erfolgreich empfangen wird.
CRC-Fehler	Zähler, der sich jedes Mal um eins erhöht, wenn ein Rahmen empfangen wird, dessen Prüfsumme/CRC nicht mit dem berechneten Wert übereinstimmt.
Synchronisierfehler	Zähler, der sich jedes Mal um eins erhöht, wenn ein Rahmen empfangen wird, dessen Prüfsumme/CRC nicht mit einer 8-Bit-Rahmenbegrenzung endet.
Rahmen zu lang	Zähler, der sich jedes Mal um eins erhöht, wenn ein Rahmen empfangen wird, der die in den Standardeinstellungen festgelegte maximale Länge überschreitet (Rahmen größer als 1518 Byte).
Rahmen zu kurz	Zähler, der sich jedes Mal um eins erhöht, wenn ein Rahmen empfangen wird, der die in den Standardeinstellungen festgelegte minimale Länge unterschreitet (Rahmen kleiner als 64 Byte).
Modbus-TCP/IP	
Rahmen gesendet	Zähler, der sich jedes Mal um eins erhöht, wenn ein Rahmen gesendet wird.
Rahmen empfangen	Zähler, der sich jedes Mal um eins erhöht, wenn ein Rahmen empfangen wird.
Protokollfehler	Zähler, der sich jedes Mal um eins erhöht, wenn eine Nachricht mit einem falschen Format empfangen wird.
Aktive Verbindungen ¹	Statuswert, der die Anzahl der Verbindungen darstellt, die zum Zeitpunkt der Aktualisierung der Diagnosesseite aktiv sind. Es werden maximal 32 Verbindungen unterstützt. Durch Klicken auf „Aktive Verbindungen“ wird ein neues Fenster mit einer Liste aller aktiven Client-Verbindungen eingeblendet.
Summe der Verbindungen ¹	Zähler, der sich jedes Mal um eins erhöht, wenn eine Verbindung zum EGX aufgebaut wird.
Maximale Anzahl Verbindungen ¹	Statuswert, der die maximale Anzahl der aktiven Verbindungen darstellt.
Eingegangene Lesenachrichten ¹	Zähler, der sich jedes Mal um eins erhöht, wenn eine Lesenachricht empfangen wird.
Abgegangene Lesenachrichten ²	Zähler, der sich jedes Mal um eins erhöht, wenn eine Lesenachricht gesendet wird.
Eingegangene Schreibnachrichten ¹	Zähler, der sich jedes Mal um eins erhöht, wenn eine Schreibnachricht empfangen wird.
Abgegangene Schreibnachrichten ²	Zähler, der sich jedes Mal um eins erhöht, wenn eine Schreibnachricht gesendet wird.
Eingegangene Antwortnachrichten ²	Zähler, der sich jedes Mal um eins erhöht, wenn eine Antwortnachricht empfangen wird.
Abgegangene Antwortnachrichten ¹	Zähler, der sich jedes Mal um eins erhöht, wenn eine Antwortnachricht gesendet wird.
Serielle Schnittstelle	
Rahmen gesendet	Zähler, der sich jedes Mal um eins erhöht, wenn ein Rahmen gesendet wird.
Rahmen empfangen	Zähler, der sich jedes Mal um eins erhöht, wenn ein Rahmen empfangen wird.
CRC-Fehler	Zähler, der sich jedes Mal um eins erhöht, wenn eine Nachricht empfangen wird, deren CRC nicht mit dem berechneten Wert übereinstimmt. Das ist normalerweise die Folge von Verdrahtungsproblemen.
Protokollfehler	Zähler, der sich jedes Mal um eins erhöht, wenn eine Nachricht mit einem falschen Format empfangen wird.
Zeitüberschreitungen	Zähler, der sich jedes Mal um eins erhöht, wenn eine Anforderungsnachricht gesendet wird, ohne dass eine entsprechende Antwortnachricht innerhalb der zulässigen Zeit empfangen wird. Zeitüberschreitungen sind normalerweise das Ergebnis von Konfigurationsfehlern oder einer fehlenden Reaktion des Geräts.

¹ Verfügbar, wenn sich die serielle Schnittstelle im Master-Modus befindet.

² Verfügbar, wenn sich die serielle Schnittstelle im Slave-Modus befindet.

Statistik	Beschreibung
Eingegangene Lesenachrichten ²	Zähler, der sich jedes Mal um eins erhöht, wenn eine Lesenachricht empfangen wird.
Abgegangene Lesenachrichten ¹	Zähler, der sich jedes Mal um eins erhöht, wenn eine Lesenachricht gesendet wird.
Eingegangene Schreibnachrichten ²	Zähler, der sich jedes Mal um eins erhöht, wenn eine Schreibnachricht empfangen wird.
Abgegangene Schreibnachrichten ¹	Zähler, der sich jedes Mal um eins erhöht, wenn eine Schreibnachricht gesendet wird.
Gateway-Informationen	
Firmwareversion	Das ist die Firmwareversion, die im EGX installiert ist.
System-Leerlaufzeit	Prozentsatz von 0 % bis 100 %, der die durchschnittliche ungenutzte Prozessorzeit anzeigt.
MAC-Adresse	Unverwechselbare Ethernet-Hardware-Adresse eines EGX.
Seriennummer	Seriennummer des EGX.
Modellnummer	Modellnummer des EGX (100).
Hardwareversion	EGX-Hardwareversion
Herstellungsdatum	Datum, an dem das EGX hergestellt wurde.

¹ Verfügbar, wenn sich die serielle Schnittstelle im Master-Modus befindet.

² Verfügbar, wenn sich die serielle Schnittstelle im Slave-Modus befindet.

Geräteregister lesen

Maßnahme	Ergebnis
1. Klicken Sie auf der Seite „Diagnose“ auf Geräteregister lesen .	Einblendung der Seite „Geräteregister lesen“.
2. Geben Sie die Geräte-ID, das Startregister und die Anzahl der zu lesenden Register ein.	Eingabe der Werte für Beginn der Registerauslesung für das angegebene Gerät.
3. Wählen Sie einen Datentyp aus.	Auswahl des anzuzeigenden Datentyps.
4. Um die Art der Datenanzeige in der Spalte „Wert“ zu ändern, wählen Sie Dezimal , Hexadezimal , Binär oder ASCII aus.	Auswahl der Art der Datenanzeige.
5. Klicken Sie auf Lesen .	Anzeige der angeforderten Daten.

Tabelle 8: Einstellungen des EGX zum Lesen von Geräteregistern

Option	Beschreibung	Werkeinstellung
Geräte-ID	Adresse des Geräts, dessen Register gelesen werden.	1
Startregister	Erstes zu lesendes Register.	1000
Anzahl Register	Anzahl der zu lesenden Register (1 bis 10).	10
Spalte „Register“	Auflistung der Registernummern.	—
Spalte „Wert“	Auflistung der für ein Register gespeicherten Daten. Die abgerufenen Werte hängen vom Gerät ab, das mit dem EGX verbunden ist. Weitere Informationen über gespeicherte Registerwerte finden Sie in den Unterlagen des verbundenen Geräts.	—
Datentyp	Auswahl von Halteregeistern, Eingangsregistern, Ausgangsspulen, Eingangsspulen bzw. Geräte-ID für die Spezifizierung der abgerufenen Werte.	Halteregister
Optionen „Dezimal“, „Hexadezimal“, „Binär“ bzw. „ASCII“	Legt fest, wie Daten in der Spalte „Wert“ angezeigt werden sollen.	Dezimal

Abbildung 14: Seite „Gerätregister lesen“

Gerätregister lesen

Geräte-ID:	Startregister:	Anzahl Register:
<input type="text" value="1"/>	<input type="text" value="1000"/>	<input type="text" value="10"/>

Register	Wert	Datentyp:
<input type="text" value="1000"/>	<input type="text" value="0"/>	Halteregister
<input type="text" value="1001"/>	<input type="text" value="0"/>	
<input type="text" value="1002"/>	<input type="text" value="0"/>	
<input type="text" value="1003"/>	<input type="text" value="0"/>	<input checked="" type="radio"/> Dezimal
<input type="text" value="1004"/>	<input type="text" value="0"/>	<input type="radio"/> Hexadezimal
<input type="text" value="1005"/>	<input type="text" value="0"/>	<input type="radio"/> Binär
<input type="text" value="1006"/>	<input type="text" value="0"/>	<input type="radio"/> ASCII
<input type="text" value="1007"/>	<input type="text" value="0"/>	
<input type="text" value="1008"/>	<input type="text" value="0"/>	<input type="button" value="Lesen"/>
<input type="text" value="1009"/>	<input type="text" value="0"/>	

Firmware

Die Firmware der EGX-Geräte kann mit FTP (File Transfer Protocol) aktualisiert werden. Das neueste Firmware-Update finden Sie unter www.powerlogic.com, oder fragen Sie Ihren zuständigen Vertriebsmitarbeiter danach.

Firmwareversion feststellen

Maßnahme	Ergebnis
1. Melden Sie sich beim EGX an.	Einblendung der EGX-Startseite.
2. Suchen Sie die Firmwareversion in der unteren linken Ecke der Seite. <i>HINWEIS: Wenn Sie die Firmware kürzlich aktualisiert haben, drücken Sie F5, um die Webseite und die angezeigte Firmwarenummer zu aktualisieren.</i>	Feststellung der Firmware-Version des EGX.
3. Alternativ können Sie auf Diagnose > Statistik klicken, um die Firmwareversion im Abschnitt „Gateway-Informationen“ zu finden.	Alternative Feststellung der Firmwareversion des EGX.

Neue Firmware herunterladen

Maßnahme	Ergebnis
1. Starten Sie Internet Explorer, geben Sie www.powerlogic.com in die Adressenleiste ein und drücken Sie die Eingabetaste.	Einblendung der PowerLogic-Website.
2. Wählen Sie Ihr Land aus und klicken Sie auf Go . <i>HINWEIS: Wenn Sie „United States“ ausgewählt haben, fahren Sie mit Schritt 3 fort. Anderenfalls folgen Sie der länderspezifischen Navigation zur EGX-Firmware.</i>	Einblendung der PowerLogic-Website für Ihr Land.
3. Klicken Sie auf Firmware Downloads > Products > PowerLogic Communications > EGX100 .	Anzeige der verfügbaren Downloads für das EGX100.
4. Klicken Sie auf den Link EGX100 Firmware .	Einblendung der Seite mit Anweisungen für die EGX100-Firmware.
5. Klicken Sie auf die Registerkarte Files und dann auf den Firmware-Dateilink (eg#####.bin, wobei ##### die Firmwarenummer ist). <i>HINWEIS: Für das Herunterladen von Firmwaredateien müssen Sie angemeldet sein. Wenn Sie keinen Benutzernamen und kein Kennwort haben, befolgen Sie die Anweisungen auf der Website.</i>	Anzeige der Dateinamen und Öffnen des Dialogfelds „File Download“.
6. Klicken Sie auf Save .	Speicherung der Firmwaredatei.

Firmwaredatei aktualisieren

Maßnahme	Ergebnis
1. Starten Sie Internet Explorer, geben Sie <i>ftp://</i> sowie die IP-Adresse des EGX in die Adressenleiste ein (z. B. <i>ftp://169.254.0.10</i>) und drücken Sie die Eingabetaste.	Einblendung des Dialogfelds Anmelden als .
2. Geben Sie in die Textfelder den Benutzernamen <i>Administrator</i> und das Administratorkennwort ein und klicken Sie auf Anmelden .	Beginn einer FTP-Sitzung mit dem EGX.
3. Suchen Sie die gespeicherte Firmwaredatei auf Ihrem Computer, rechtsklicken Sie auf die Datei und klicken Sie dann auf Kopieren .	Kopieren der Firmwaredatei in die Zwischenablage.
4. Rechtsklicken Sie in das Internet Explorer-Fenster und klicken Sie auf Einfügen . <i>HINWEIS: Anstelle des Kopierens und Einfügens der Firmwaredatei können Sie die Firmwaredatei im Internet Explorer auch ziehen und ablegen (Drag & Drop).</i>	Kopieren der Firmware auf das EGX und Neustart des EGX.
5. Schließen Sie das Internet Explorer-Fenster.	Schließen von Internet Explorer und Beenden der FTP-Verbindung zum EGX.
6. Um zu kontrollieren, ob die Firmwareversion erfolgreich aktualisiert wurde, führen Sie die Schritte unter „Firmwareversion feststellen“ auf Seite 15 aus.	Überprüfung der aktualisierten Firmwareversion.

Index

A

Abmelden 2
Anmelden beim EGX 2

B

Benutzerkonten
 Einrichten 8
Benutzeroberfläche 3

D

Diagnose 12

E

EGX
 Anmeldung 2
 Benutzeroberfläche 3
 Einrichten 3
Einführung 1
Einrichten
 Geräteliste
 Master-Modus 6
 Slave-Modus 7
Erkennung identischer IP-Adressen 4
Ethernet- und TCP/IP-Einstellungen 3
Ethernet-Protokolle 1

F

Firmware 15
 Aktualisieren 15
 Neu herunterladen 15
 Version feststellen 15

G

Geräteliste
 Einrichten 6
 Master-Modus 6
 Slave-Modus 7
Geräteregister 14
 Lesen 14

H

Hardware 1

M

Modbus-TCP/IP-Filter
 Einrichten 9

N

Netzwerk
 Zugang 2

S

Serielle Schnittstelle
 Einrichten 5
SNMP-Parameter
 Einrichten 10
Statistik 12
 Auswerten 13

Systemzugangspunkt
 Einrichten 11

U

Unterstützte Ethernet-Protokolle 1

W

Webseitenzugriff
 Einrichten 8

Z

Zugang zum EGX über ein Netzwerk 2
Zusätzliche Ressourcen 2

